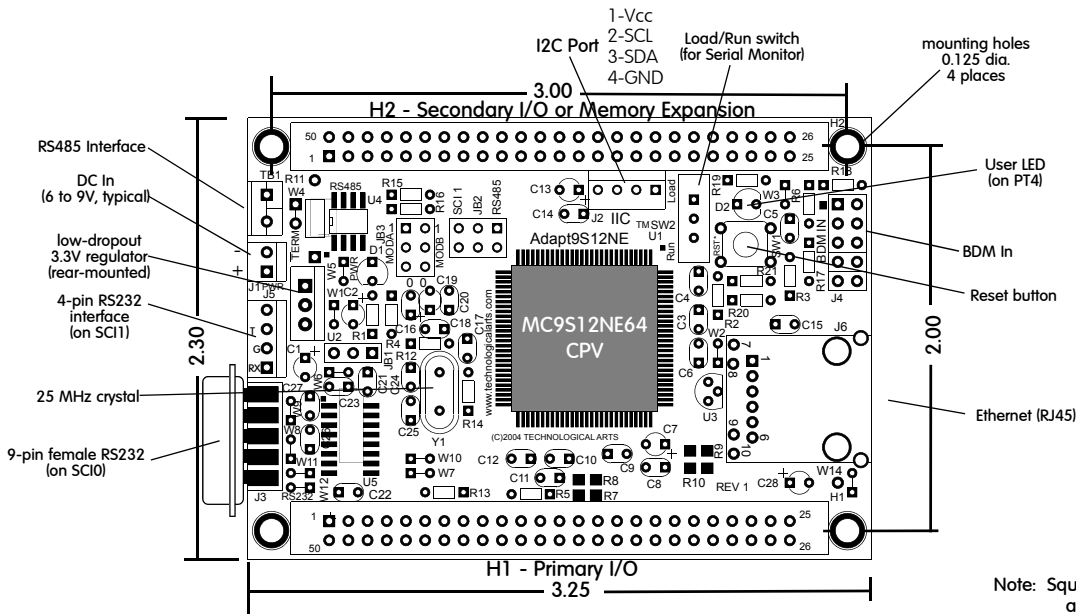


Adapt9S12NE64 Embedded Ethernet Module



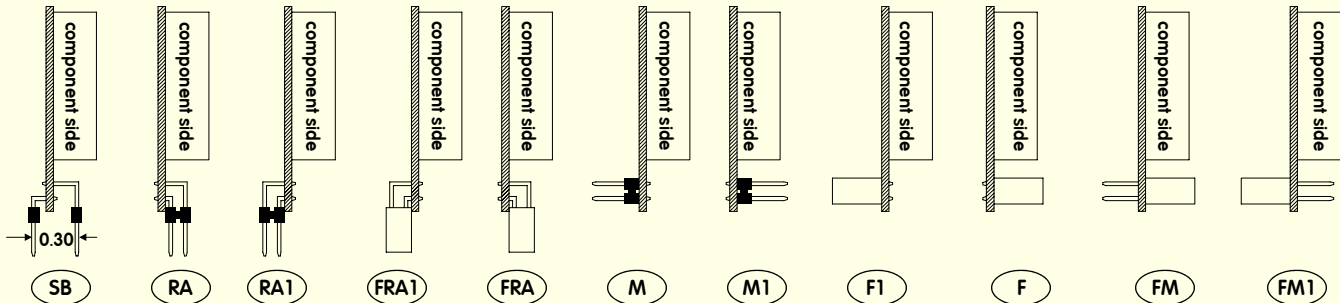
all dimensions in inches

Adapt9S12NE64 CONNECTOR PINOUTS

H1				H2			
PIN	SIGNAL NAME	PIN	SIGNAL NAME	PIN	SIGNAL NAME	PIN	SIGNAL NAME
1	PS4/MISO	50	GROUND	1	PA7	50	VCC (+3.3VDC)
2	PS5/MOSI	49	GROUND	2	PA6	49	GROUND
3	PS6/SCK	48	PS0/RXD0	3	PA5	48	PK7
4	PS7/SS*	47	VCC(+3.3VDC)	4	PA4	47	PK6
5	PS1/TXD0	46	PE1/IRQ*	5	PA3	46	PK5
6	PT7/IOC7	45	PE0/XIRQ*	6	PA2	45	PK4
7	PT6/IOC6	44	RESET*	7	PA1	44	PK3
8	PT5/IOC5	43	PE7	8	PA0	43	PK2
9	PT4/IOC4	42	PH0/KWHO	9	PB7	42	PK1
10	NC	41	PH1/KWH1	10	PB6	41	PK0
11	NC	40	PH2/KWH2	11	PB5	40	PJ0
12	NC	39	PH3/KWH3	12	PB4	39	PJ1
13	NC	38	PH4/KWH4	13	PB3	38	PJ2
14	PG7/KWG6	37	PH5/KWH5	14	PB2	37	PJ3
15	PG6/KWG7	36	PH6/KWH6	15	PB1	36	PJ6/SDA
16	PG5	35	NC	16	PB0	35	PJ7/SCL
17	PG4	34	PS2/RXD1	17	PE2 (R/W*)	34	PLO
18	PG3	33	PE4 (ECLK)	18	PE4 (ECLK)	33	PL1
19	PG2	32	PS3/TXD1	19	PE3 (LSTRB*)	32	PL2
20	PG1	31	VRL	20	PE1/IRQ*	31	PL3
21	PG0	30	VRH	21	NC	30	PL4
22	AN00	29	AN04	22	NC	29	PL5
23	AN01	28	AN05	23	NC	28	PL6
24	AN02	27	AN06	24	NC	27	NC
25	AN03	26	AN07	25	NC	26	NC

NOTES: * indicates active low signal

Standard Connector Options (use NC for "no connector")



Order Code:

Module with Freescale Serial Monitor in flash: AD9S12NE64M-□-□ (fill in -□-□ with desired connector options for H1 and H2)