



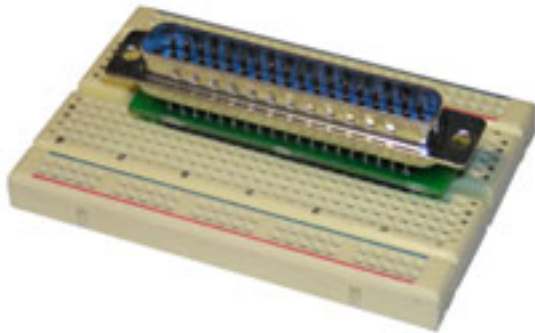
---

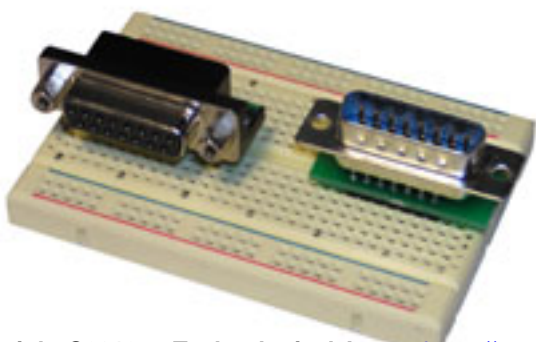
# Technological Arts Inc.

*Technological Arts*

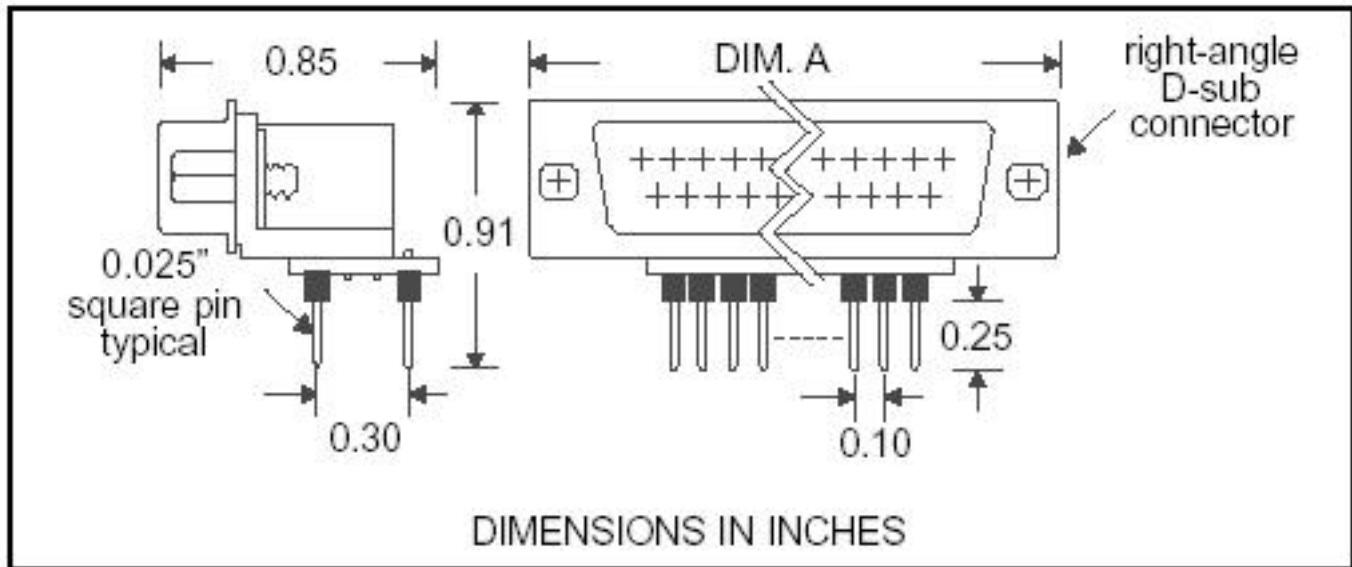
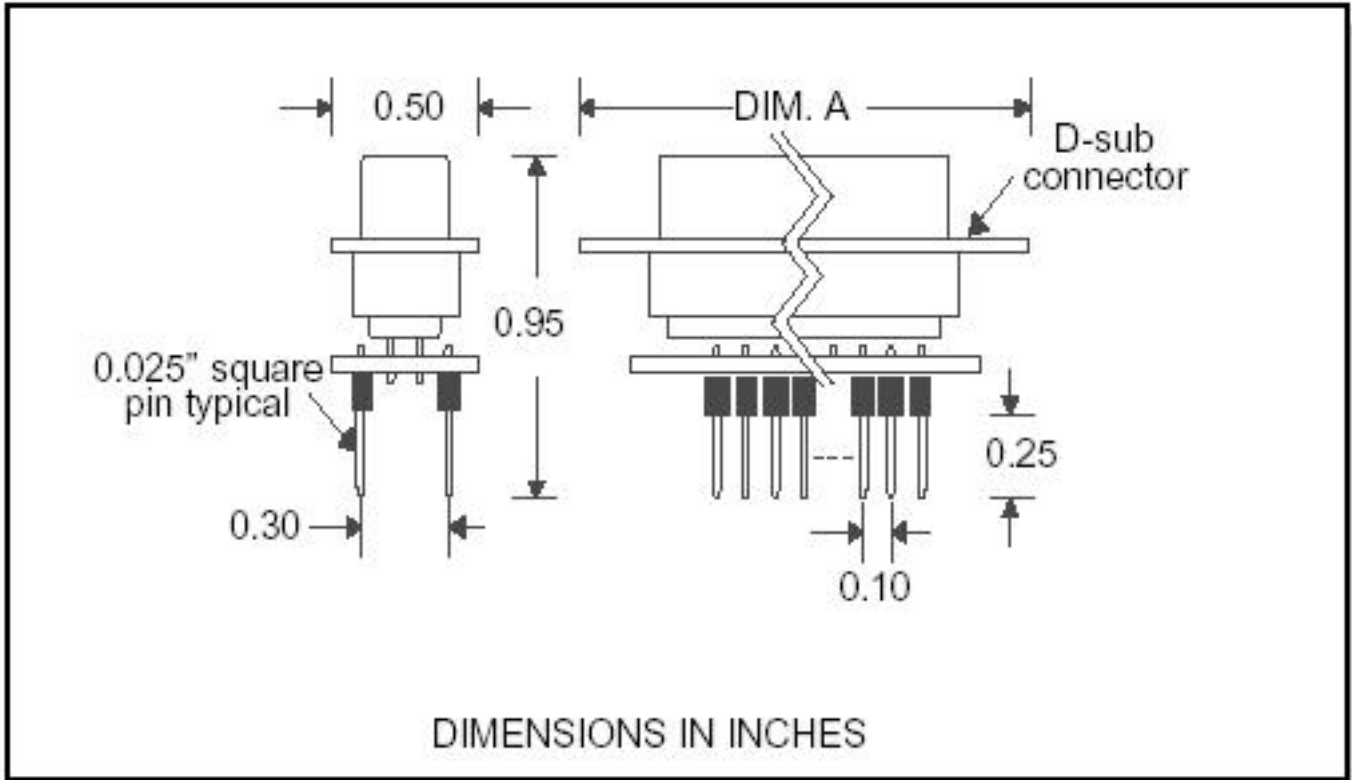
D-Sub

Â





Â



Â

Â

- use D-sub connectors in your breadboard as easily as DIPs!
- test or develop interfaces to serial and parallel port devices in your solderless breadboard
- perfect for students, technicians, engineers, and hobbyists!

**Features:**

Â

- compact design
- gold-plated 0.025" square-pin terminations
- rows spaced 0.3" apart to plug into standard solderless breadboard
- takes minimum real estate on breadboard
- gives maximum access to tie-points
- available in both socket and plug versions
- available in both top-entry and side-entry versions
- quality 2-layer FR-4 board
- preserves connector pin-numbering scheme
- available in 9-, 15-, 25-, and 37-pin sizes

[Data sheet for D-Sub adapters is available here](#)



**D-Sub Adapters, 15-pin plug**  
**USD \$3.50**

[\[Product Details...\]](#)



**D-Sub Adapters, 15-pin plug, right-angle**  
**USD \$4.00**

[\[Product Details...\]](#)



**D-Sub Adapters, 15-pin socket**  
**USD \$3.50**

[\[Product Details...\]](#)



**D-Sub Adapters, 15-pin socket, right-angle**  
**USD \$4.00**

[\[Product Details...\]](#)



**D-Sub Adapters, 25-pin plug**  
**USD \$5.00**

[\[Product Details...\]](#)



**D-Sub Adapters, 25-pin plug, right-angle**  
**USD \$6.00**

[\[Product Details...\]](#)



**D-Sub Adapters, 25-pin socket**  
**USD \$5.00**

[\[Product Details...\]](#)



**D-Sub Adapters, 25-pin socket, right-angle**  
**USD \$6.00**

[\[Product Details...\]](#)



**D-Sub Adapters, 37-pin plug**  
**USD \$7.50**

[\[Product Details...\]](#)



**D-Sub Adapters, 37-pin socket**  
**USD \$7.50**

[\[Product Details...\]](#)



**D-Sub Adapters, 9-pin plug**  
**USD \$3.00**

[\[Product Details...\]](#)



**D-Sub Adapters, 9-pin plug, right-angle**  
**USD \$3.50**

[\[Product Details...\]](#)



**D-Sub Adapters, 9-pin socket**  
**USD \$3.00**

[\[Product Details...\]](#)



**D-Sub Adapters, 9-pin socket, right-angle**  
**USD \$3.50**

[\[Product Details...\]](#)



**D-Sub Adapters, high-density 15-pin plug (VGA, SVGA)**  
**USD \$4.50**

[\[Product Details...\]](#)



**D-Sub Adapters, high-density 15-pin socket (VGA, SVGA)**  
**USD \$4.50**

[\[Product Details...\]](#)

- 
- 
- 
- 
- 

« « Start  
« Prev  
1  
Next »  
End » »

Results 1 - 16 of 16