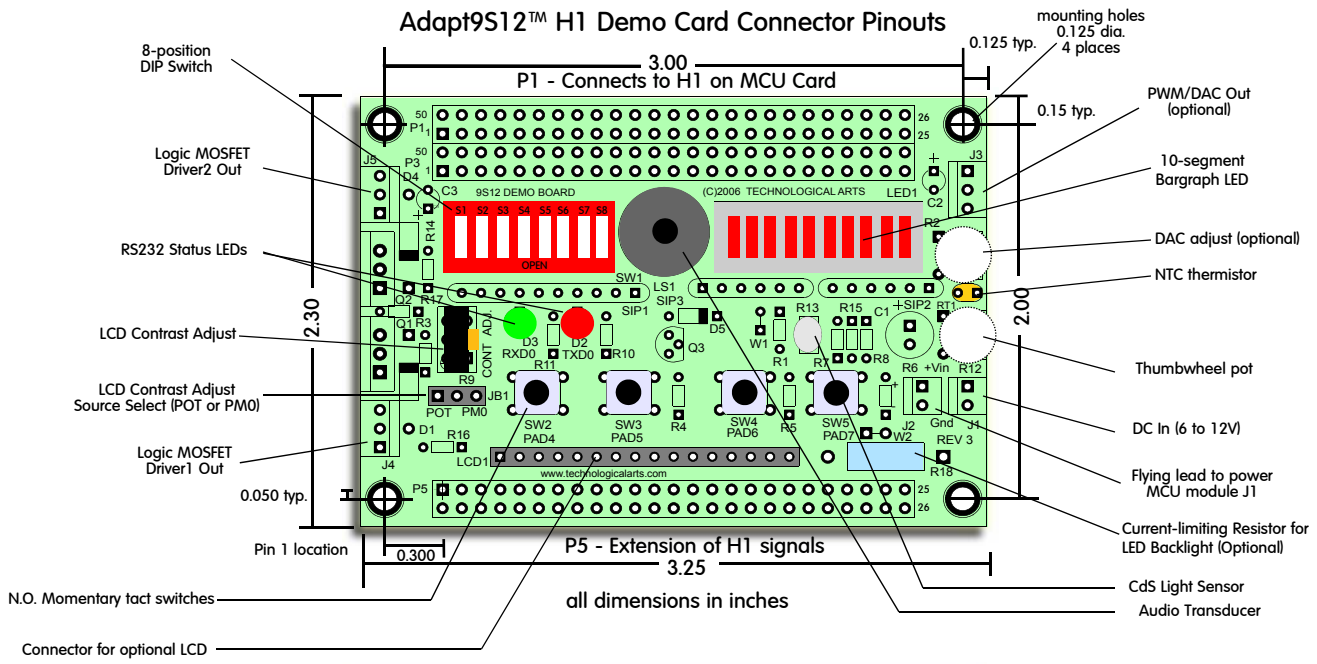


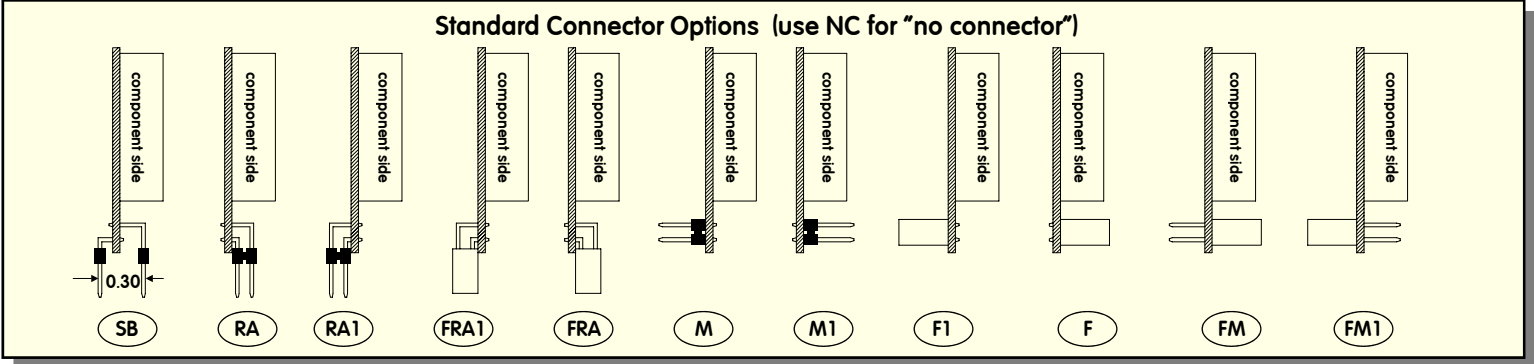
Adapt9S12™ H1 Demo Card Connector Pinouts



P1/P3/P5 Signals			
PIN	SIGNAL NAME	PIN	SIGNAL NAME
1	LCD DB4	50	GROUND
2	LCD DB5	49	GROUND
3	LCD DB6	48	RXD0
4	LCD DB7	47	+5VDC
5	TXD0	46	N/C
6	S1	45	N/C
7	S2	44	N/C
8	S3	43	N/C
9	S4	42	SEG0
10	S5	41	SEG1
11	S6	40	SEG2
12	S7	39	SEG3
13	S8	38	SEG4
14	SPKR	37	SEG5
15	LCD CONTRAST (PM0)	36	SEG6
16	DAC	35	SEG7
17	DRIVER1/SEG8	34	N/C
18	DRIVER2/SEG9	33	N/C
19	LCD RS	32	N/C
20	LCD E	31	AGND
21	LCD R/W*	30	N/C
22	N/C	29	SW2
23	TEMP	28	SW3
24	POT	27	SW4
25	LIGHT	26	SW5

NOTES:
 • * indicates active low signal
 • N/C indicates "no connection"
 • P1 signals pass through to P3 and P5

Standard Connector Options (use NC for "no connector")



Order Codes (fill in -□-□ with desired connector options for P1 and P5):
 Module: AD9S12DEMH1-□-□



www.technologicalarts.com