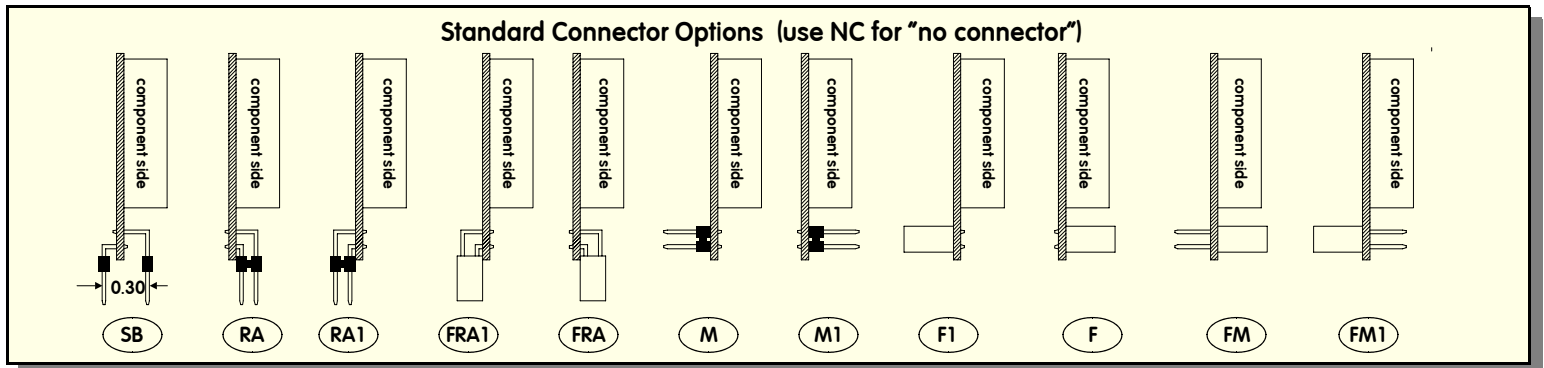


P1/P3/P5 Signals			
PIN	SIGNAL NAME	PIN	SIGNAL NAME
1	N/C	50	GROUND
2	N/C	49	GROUND
3	N/C	48	RXD0
4	N/C	47	+5VDC
5	TXD0	46	N/C
6	S1	45	N/C
7	S2	44	N/C
8	S3	43	N/C
9	S4	42	SEG0
10	S5	41	SEG1
11	S6	40	SEG2
12	S7	39	SEG3
13	S8	38	SEG4
14	SPKR	37	SEG5
15	N/C	36	SEG6
16	DAC	35	SEG7
17	DRIVER1/SEG8	34	N/C
18	DRIVER2/SEG9	33	N/C
19	N/C	32	N/C
20	N/C	31	N/C
21	N/C	30	N/C
22	N/C	29	SW2
23	TEMP	28	SW3
24	POT	27	SW4
25	LIGHT	26	SW5

NOTES:
 * indicates active low signal
 N/C indicates "no connection"



Order Codes (fill in - with desired connector options for P1 and P5):
 Module: AD9S12DEMH1--