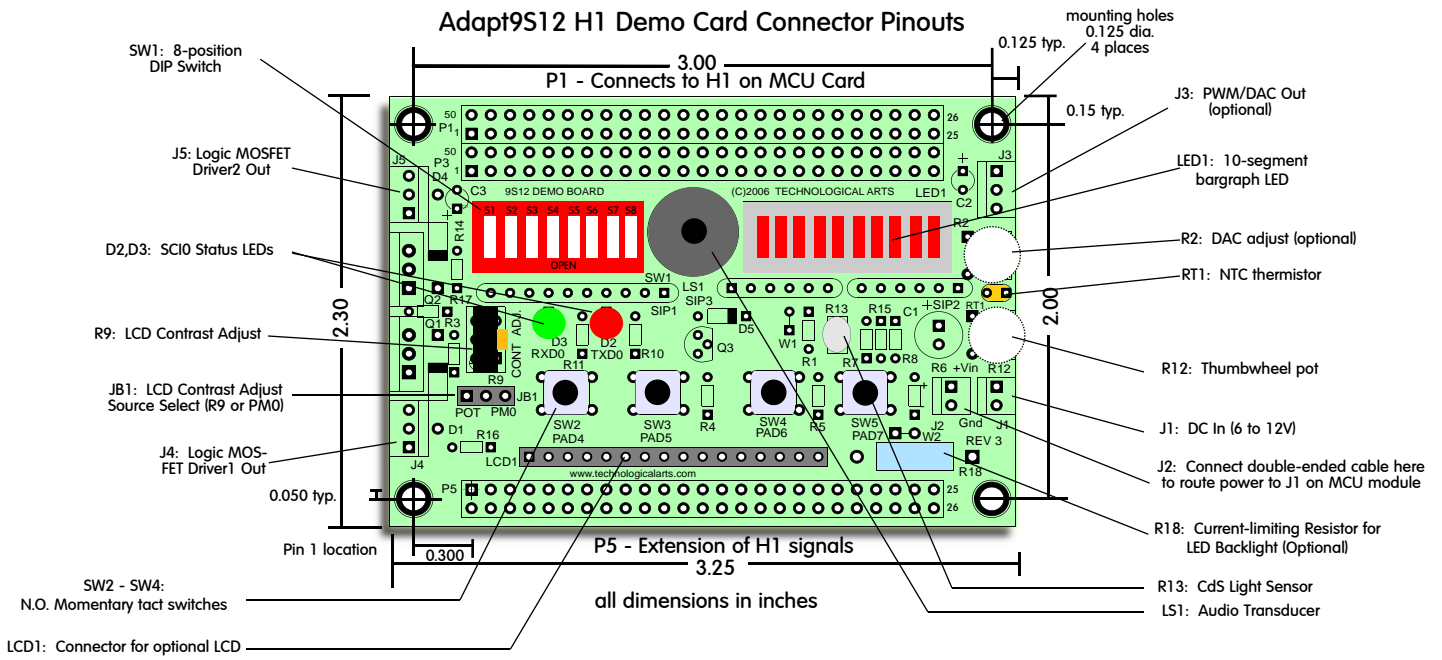
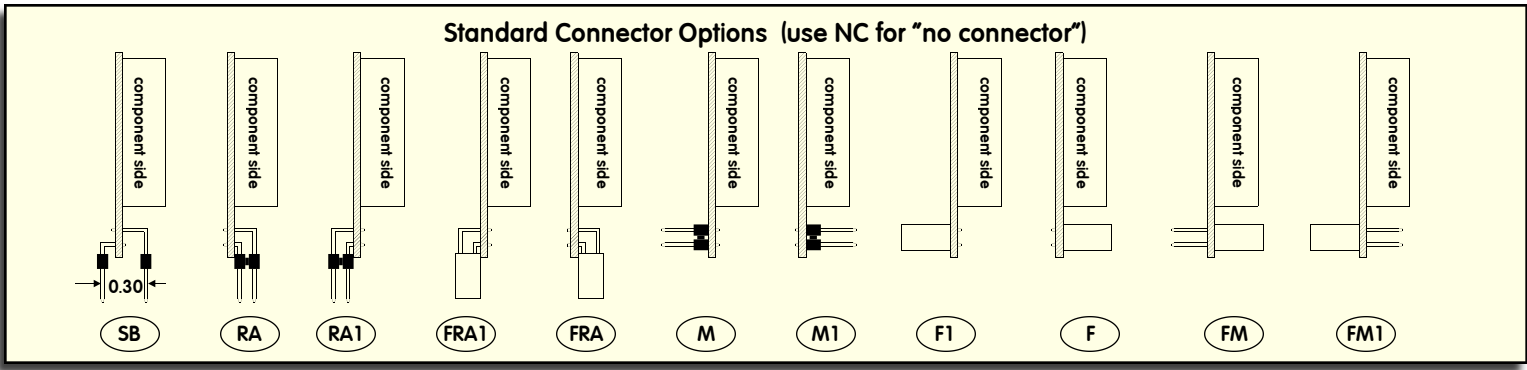


# Adapt9S12 H1 Demo Card Connector Pinouts



P1/P3/P5 Signals			
PIN	SIGNAL NAME	PIN	SIGNAL NAME
1	LCD DB4	50	GROUND
2	LCD DB5	49	GROUND
3	LCD DB6	48	RXD0
4	LCD DB7	47	+5VDC
5	TXD0	46	N/C
6	SW1-1	45	N/C
7	SW1-2	44	N/C
8	SW1-3	43	N/C
9	SW1-4	42	LED1-SEG0
10	SW1-5	41	LED1-SEG1
11	SW1-6	40	LED1-SEG2
12	SW1-7	39	LED1-SEG3
13	SW1-8	38	LED1-SEG4
14	SPEAKER	37	LED1-SEG5
15	LCD CONTRAST (PM0)	36	LED1-SEG6
16	DAC	35	LED1-SEG7
17	DRIVER1/LED1-SEG9	34	N/C
18	DRIVER2/LED1-SEG8	33	N/C
19	LCD RS	32	N/C
20	LCD E	31	AGND
21	LCD R/W*	30	N/C
22	N/C	29	SW2
23	TEMP	28	SW3
24	POT	27	SW4
25	LIGHT	26	SW5

**NOTES:**  
 • \* indicates active low signal  
 • N/C indicates "no connection"  
 • P1 signals pass through to P3 and P5



Order Codes (fill in - with desired connector options for P1 and P5):  
 Module: AD9S12DEMH1--



www.technologicalarts.com