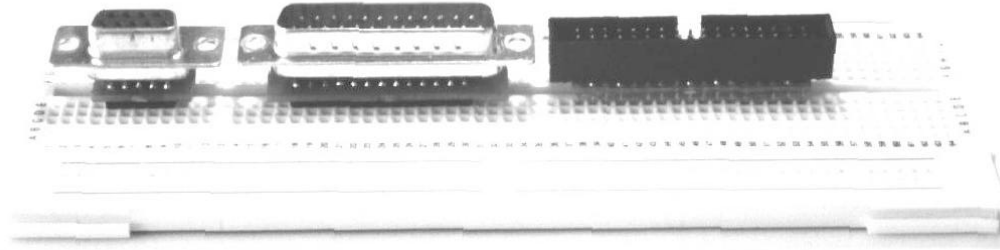


# SOLDERLESS BREADBOARD ADAPTERS

for Ribbon Cable, 1mm Flex Cable, D-Sub, DIN, and MiniDIN Connectors



Now you can plug serial cables, printer cables, ribbon cables, and 1mm flex cables into your solderless breadboard as easily as DIPs!

Interface disk drives, LCDs, PC keyboards, parallel ports, serial ports, and more, to your application or test circuit on your solderless breadboard

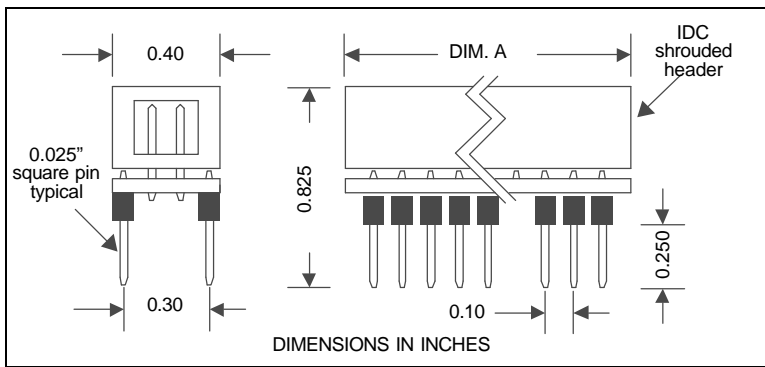
available in all popular sizes

gold-plated 0.025 square pins for reliable breadboard connections

rows spaced 0.3 apart to plug into standard solderless breadboard

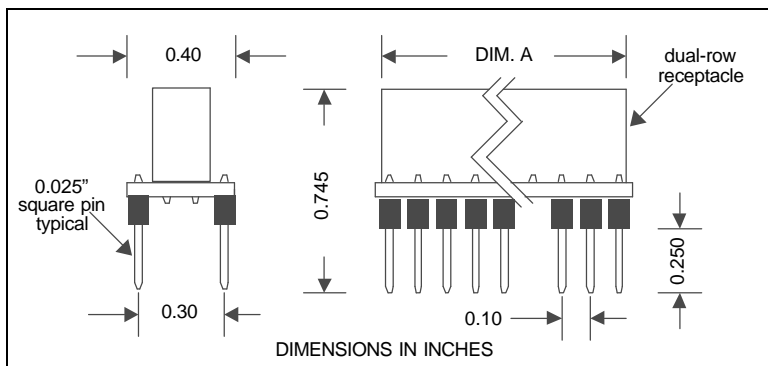
Great for technicians, engineers, students, and hobbyists

## SHROUDED IDC ADAPTERS



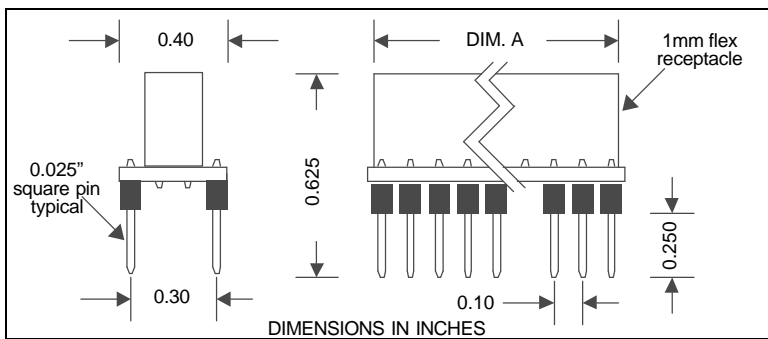
Part #	Number of pins	DIM. A (inches)
ADIDC10M	10	0.9
ADIDC14M	14	1.0
ADIDC16M	16	1.1
ADIDC20M	20	1.3
ADIDC26M	26	1.6
ADIDC34M	34	2.00
ADIDC40M	40	2.30
ADIDC50M	50	2.80
ADIDC60M	60	3.30

## DUAL-ROW RECEPTACLE ADAPTERS



Part #	Number of pins	DIM. A (inches)
ADHDR10F	10	0.9
ADHDR14F	14	1.0
ADHDR16F	16	1.1
ADHDR20F	20	1.3
ADHDR26F	26	1.6
ADHDR34F	34	2.00
ADHDR40F	40	2.30
ADHDR50F	50	2.80
ADHDR60F	60	3.30

## 1MM FLEX CABLE ADAPTERS

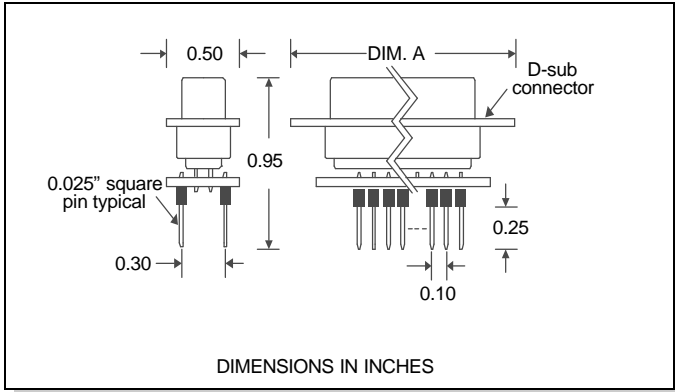


Part #	Number of pins	DIM. A (inches)
AD1MMFLEX16	16	0.8
AD1MMFLEX24	24	1.2
AD1MMFLEX30	30	1.5



www.technologicalarts.com • sales@technologicalarts.com

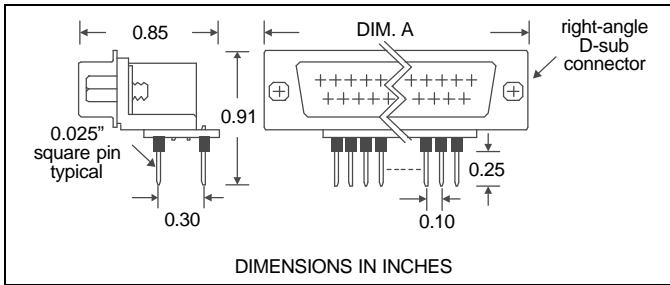
## D-SUB ADAPTERS



Part Number	Number of pins	DIM. A (inches)
ADDB9S	9	1.20
ADDB9P	9	1.20
ADDB15S	15	1.50
ADDB15P	15	1.50
ADDB25S	25	2.10
ADDB25P	25	2.10
ADDB37S	37	2.70
ADDB37P	37	2.70

S = socket P = plug

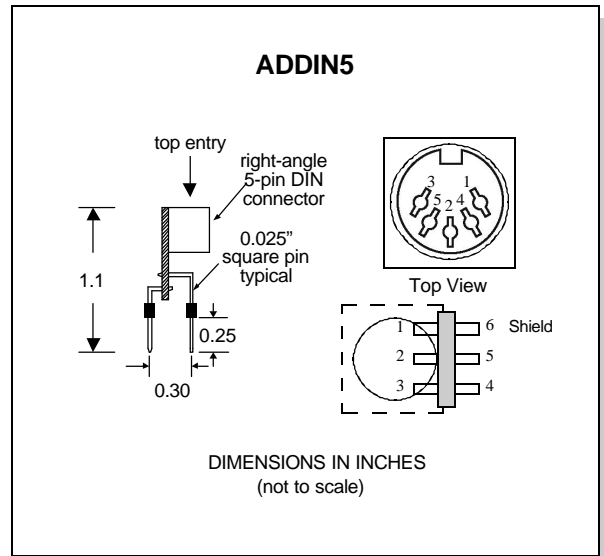
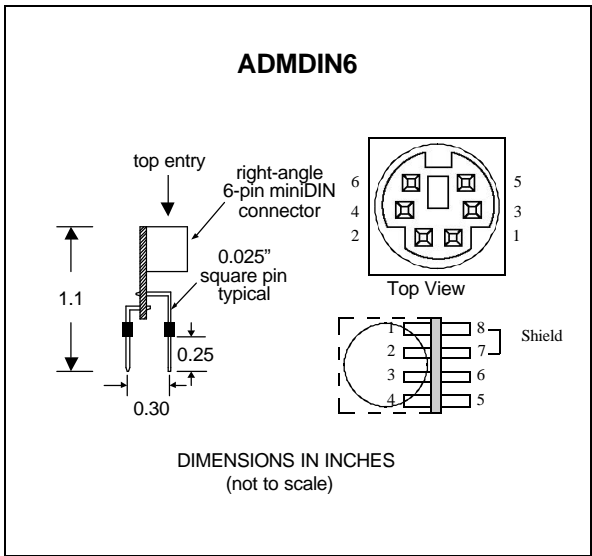
## RIGHT-ANGLE D-SUB ADAPTERS



Part Number	Number of pins	DIM. A (inches)
ADDB9S-RA	9	1.20
ADDB9P-RA	9	1.20
ADDB15S-RA	15	1.50
ADDB15P-RA	15	1.50
ADDB25S-RA	25	2.10
ADDB25P-RA	25	2.10

S = socket P = plug

## MINI-DIN and CIRCULAR DIN ADAPTERS



Phone: (416) 963-8996 • Fax: (416) 963-9179  
 sales@technologicalarts.com  
 www.technologicalarts.com