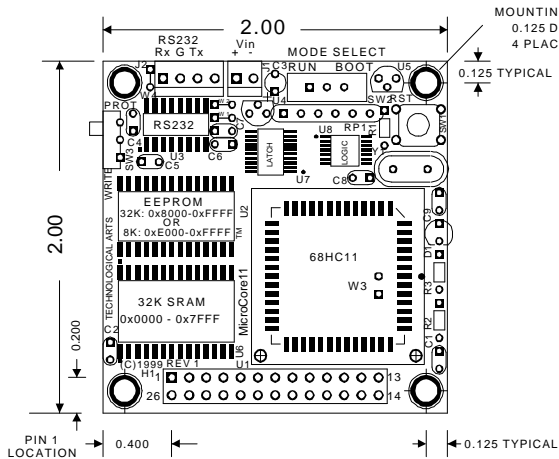
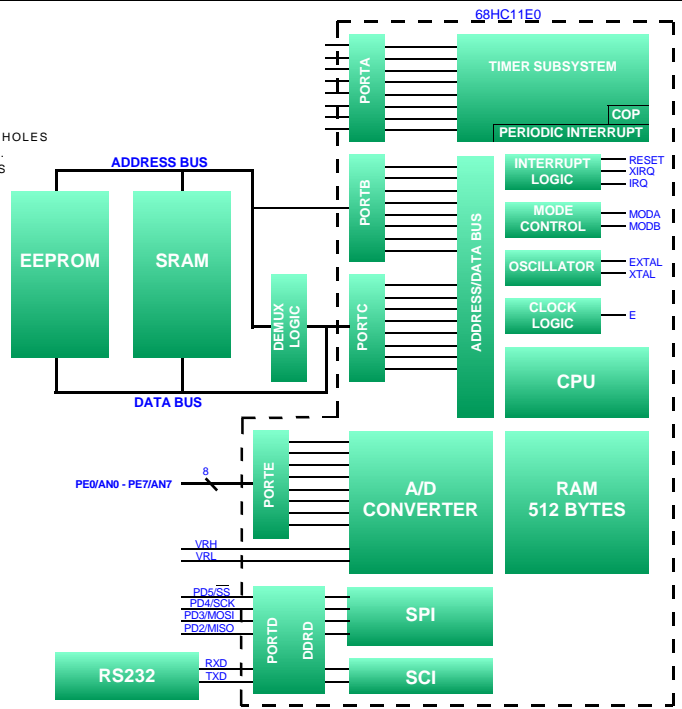


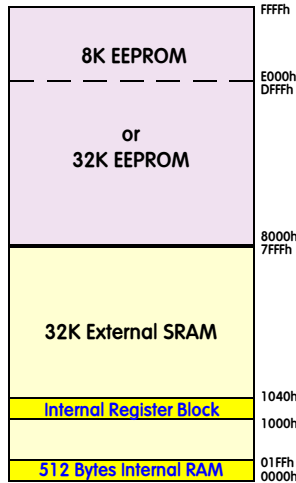
Mechanical Dimensions & Pin Numbering



Notes:
 - all dimensions in inches
 - square pad is Pin 1, all leaded components

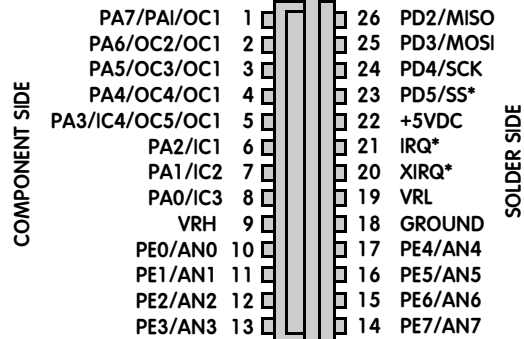


MEMORY MAP



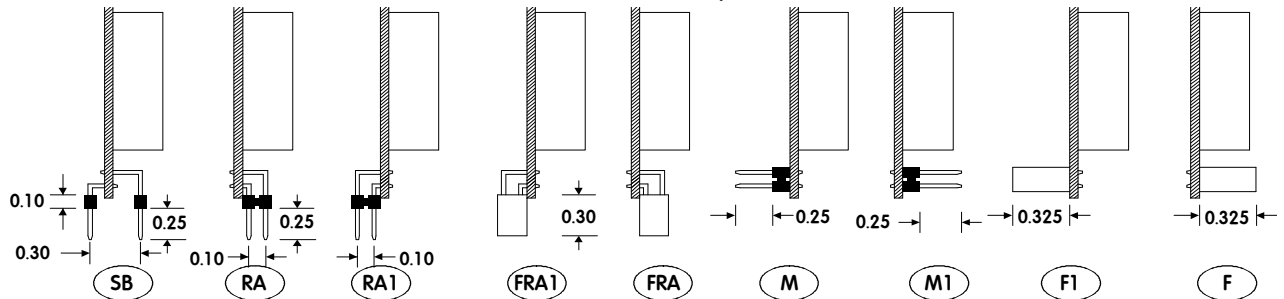
TOP VIEW

(with SB connector option)
 Note: * indicates active low



REV. 1+

Standard Connector Options



8K Module: #MC118KM-□
 32K Module: #MC1132KM-□



8K Starter Package: #MC11SP8K(-□)
 32K Starter Package: #MC11SP32K(-□)
 (default is SB connector unless otherwise specified)

www.technologicalarts.com • sales@technologicalarts.com • phone: (416) 963-8996 • fax: (416) 963-9179

©1999 Technological Arts Specifications subject to change without notice