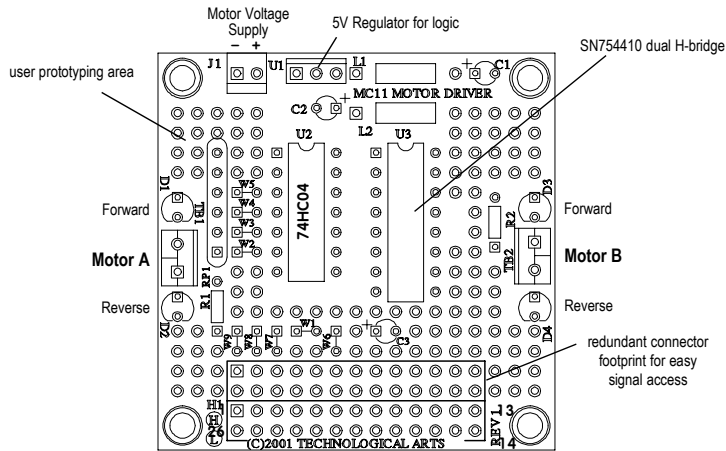


MicroCore-11 Motor Driver Modules

Mechanical Layout & Pin Numbering

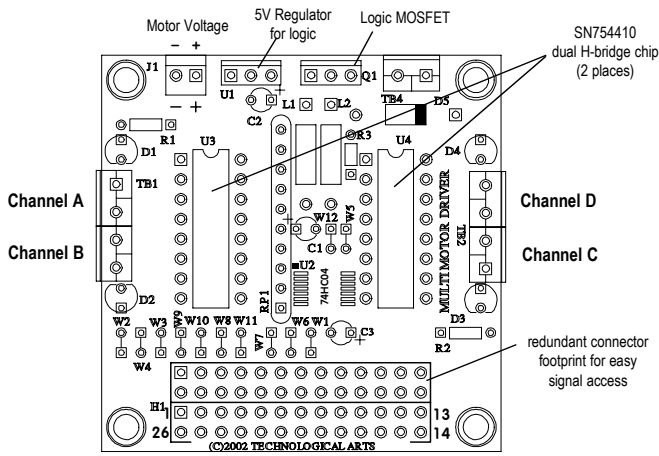
Dual Motor Driver Board



PIN #	FUNCTION
2	MDIRB
3	MDIRA
4	MENB
5	MENA
18	GROUND
22	VCC

Note: Square pad is Pin 1, all components

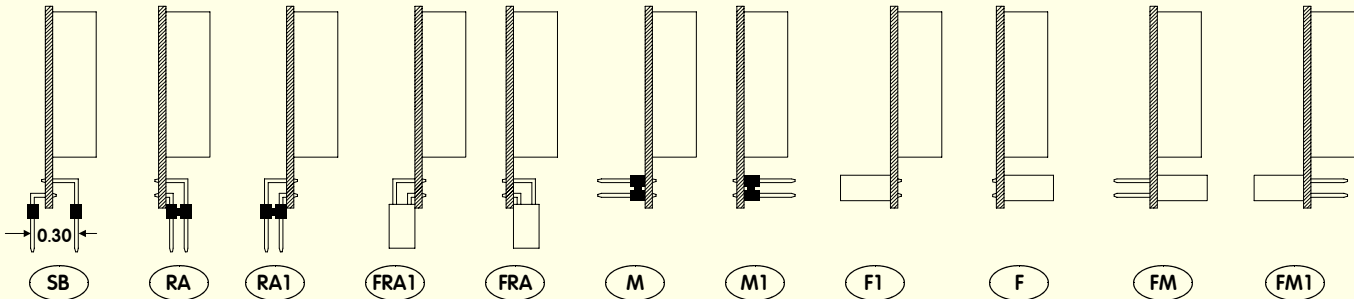
Quad Motor Driver Board



PIN #	FUNCTION
1	MOSFET
2	MDIRB1
3	MDIRA1
4	MENB1
5	MENA1
26	MDIRA2
25	MDIRB2
24	MENA2
23	MENB2
22	VCC
18	GROUND

Note: Square pad is Pin 1, all components

Standard Connector Options (use "NC" for no connector)



Order Codes:

MC11MDMH-□ 2-channel 1-Amp Motor Driver Board
 MC11QMMDM-□ 4-channel 1-Amp Motor Driver Board
 (fill in desired connector option code)

www.technologicalarts.com • sales@technologicalarts.com • phone: +1 (416) 963-8996 • fax: +1 (416) 963-9179

©2005 Technological Arts Specifications subject to change without notice

MC11MDM1