



Software Drivers for M29F800 and M29W800 Flash Memories

CONTENTS

- Introduction
- The M29F800 Programming Model
- Modifying Code from Am29LV800
- Using the C libraries
- C Library Functions
- Adapting the Software for the Target System
- Limitations of the code
- Connection to Common Microprocessors
- Conclusion
- Source Code
 - M29F800A.H
Header file for 16 bit C routines library
 - M29W800A.C
16 bit C routines library
 - M29F800B.H
Header file for 8 bit C routines library
 - M29W800B.C
8 bit C routines library

These files may be downloaded from www.st.com or obtained from any Sales offices on PC compatible floppy disk.

INTRODUCTION

This application note provides library source code in C for the M29F800 and the M29W800 Flash memories. The M29F800 requires a 5V power supply and the M29W800 requires a 3V power supply. The M29W800 has slightly slower access times than the M29F800, but the two devices are otherwise similar.

This application note supports all two devices and all technical information about the M29F800 also applies to the M29W800, except where otherwise specified. There are two different M29F800 parts, the M29F800B and M29F800T, which will be referred to generically as the M29F800. Similarly the term M29W800 in this application note can refer to either the M29W800T or the M29W800B.

The application note includes listings of the source code which is also available in file form. The M29F800a files contain libraries for accessing the M29F800 and M29W800 Flash memories in 16-bit bus mode, whereas the M29F800B files contain the 8-bit drivers for these devices.

An overview of the programming model for the M29F800 (M29W800) is given. The programming differences between the M29F800 and AMD's Am29F800 are described. Advice on how to modify programs already written for AMD's device to work with the ST device is included.

The source code is written to be as platform independent as possible and requires minimal changes by the user in order to compile and run. The application note explains how the user should modify the source code for their individual target hardware. All of the source code is backed up by comments explaining how it is used and why it has been written as it has.

Brief hardware connections to some common microprocessors are provided at the end of the application note to help the designer understand the bus requirements of the M29F800 and the M29W800.

This application note does not replace the M29F800 Data Sheet. It refers to the Data Sheet throughout and it is necessary to have a copy in order to follow some of the explanations.

The software and accompanying documentation has been fully tested on a target platform. It is small in size and can be applied to any target hardware.

THE M29F800 PROGRAMMING MODEL

The M29F800 is a 1024 Kbit x8 or 512 Kbit x16 Flash memory which can be electrically erased and programmed through special coded command sequences on most standard microprocessor buses. The device is broken down into 19 blocks of varying sizes. Each block can be erased individually; or the whole chip can be erased at once, erasing all 8 Mbit.

The M29F800 is a single voltage device. It differs from first generation devices which require a 12V supply to program or erase. The M29F800 is therefore easier to use since the hardware does not need to cater for special bus signal levels. The voltages needed to erase the device are generated by charge pumps inside the device.

Included in the device is a Program/Erase Controller (P/E.C.). With first generation flash memory devices the software had to manually program all of the bytes to 00h before erasing to FFh using special programming sequences. The P/E.C. in the M29F800 allows a simpler programming model to be used. The P/E.C. takes care of all the necessary steps required to erase and program the memory. This has led to improved reliability so that in excess of 100,000 program/erase cycles are guaranteed per block on the device.

The M29F800 does, however, require some high voltage bus signals if all of the functionality of the device is to be accessed. Each block can be protected against accidental programming or erasure. Protecting the blocks requires Vid (about 12V for all devices) on some of the pins. Most applications of the device will not include these functions. However, blocks may be preprogrammed and protected by an EPROM programmer prior to fitting into the hardware. Unprotected blocks may still be used to store data and parameters. By protecting a block, accidental data loss through software failure cannot occur.

MODES

All write accesses to the M29F800 go to the P/E.C. which decodes them as commands. These commands are used to put the M29F800 into various modes, which are:

1. Read Array
2. Auto Select
3. Program/Erase
4. Erase Suspend

- The Read Array mode is the reset state of the M29F800. In this mode the device behaves as a ROM. A read cycle outputs the data stored at the specified address on the data bus.
- The Auto Select mode allows the user to read the Electronic Signature and Block Protection Status of the device. The electronic signatures (manufacturer and device codes) or the block protection status are accessed by reading different addresses whilst in the Auto Select mode.
- During the Program/Erase mode of the M29F800 a read cycle will output the Status Register of the P/E.C. The Status Register contains valuable information about the program or erase operation which is happening or has finished.
- During an erase cycle the M29F800 can be temporarily placed in Erase Suspend mode. In this mode the blocks not being erased may be read as if in the Read Array mode. This allows the user to access information stored in the device immediately rather than waiting until the erase completes, typically 1.
- The Instructions Table of the M29F800 Data Sheet describes the sequence of Command Bytes and the respective addresses which need to be written to the P/E.C. to change mode.

To change between modes write accesses to the specified addresses with the correct data are required. For example, using 16 bit mode entering the program/erase mode and programming 9465h to the address 03E2h requires the user to write the following sequence (in C):

```
*(unsigned int*)(0x5555) = 0x00AA;
*(unsigned int*)(0x2AAA) = 0x0055;
*(unsigned int*)(0x5555) = 0x00A0;
*(unsigned int*)(0x03E2) = 0x9465;
```

In 8 bit mode writing 65h to address 07C4h would be:

```
*(unsigned char*)(0xAAAA) = 0xAA;
*(unsigned char*)(0x5555) = 0x55;
*(unsigned char*)(0xAAAA) = 0xA0;
*(unsigned char*)(0x07C4) = 0x65;
```

Table 1. Manufacturer Codes Table

Device	Manufacturer Code
M29F800T	(00)ECh
M29F800B	(00)58h
Am29F800BT	(22)D6h
Am29F800BB	(22)58h
M29W800T	(00)D7h
M29W800B	(00)5Bh
Am29LV800BT	(22)DAh
Am29LV800BB	(22)5Bh

Note that, due to the organisation of the address bus and data bus that this example writes 65h to the same address for both 16 bit and 8 bit modes. The internal organisation of the M29F800 is such that the LSB of the 16 bit mode is stored at the lower address of the 8 bit mode.

This example assumes that the M29F800 address 0000h is mapped to address 0000h in the microprocessor address space. In practice it is likely that the flash will have a base offset which needs to be added to the address.

The program/erase mode is the most complex since it allows the user to verify that the programming or erasing has completed and has been performed correctly. During the program or erase cycle any read from the P/E.C. will read from the Status Register. The Status Register bits are described in the Status Register Bits Table of the M29F800 Data Sheet.

During the program or erase cycle the user can verify that the erase is progressing by following the Data Polling Flowchart Figure of the M29F800 Data Sheet. Alternatively the Data Toggle Flowchart Figure can be used. Note that the Data Polling Flowchart is easier to implement. This technique has been used exclusively in the library routines described in this application note.

The end of a program cycle can be identified using the Data Polling Flowchart when DQ7 of the Status Register is the same as bit 7 of the byte being programmed. Erasing writes FFh to the memory, therefore DQ7 will be 0 during the erase cycle and 1 following the erase cycle.

The error bit, DQ5 of the Status Register, can be used to check if an error has occurred. If no error occurs then the Data Polling Flowchart Figure of the M29F800 Data Sheet will give a PASS result. When an error occurs DQ7 will continue to hold the complement of bit 7 of the programmed byte and DQ5 will be set. After an error the user will have to issue a Reset (RST) command to enter Read Array mode before continuing.

When programming an error may occur if the address was not previously erased, therefore erasing the block containing the address and trying again will work. Remember, however, that all of the other bytes will need to be reprogrammed. During the program operation it is only possible to change bits from 1 to 0. Attempting to change a 0 to a 1 using the program command will fail.

MODIFYING CODE from AM29LV800B

If the user has already developed code which supports the AmLV800B devices then modifying the drivers to include the M29W800 should be straight forward.

In many cases there will be no changes required to the system software. The M29F800 and the Am29F800B are identical in their operation, the P/E.C. accepts the same commands on each device and the Status Register has the same bit definitions. The M29W800 and the Am29LV800B are similar in operation, the Status Register has the same bit definitions and the P/E.C. accepts the same commands, with the exception of the non-standard unlock bypass program command of the Am29LV800B which is not supported by the M29W800.

The main difference between the devices is in the Manufacturer Code and the Device Code read during the Auto Select mode. Table 1 shows the codes for the devices.

Consider the following example of code:

```
unsigned char device_code( void )
{
    /* Write auto select sequence */
    FlashWrite( 0x5555L, 0xAA );
    FlashWrite( 0x2AAAL, 0x55 );
    FlashWrite( 0x5555L, 0x90 );

    /* Read Device Code */
    return FlashRead( 0x0001L );
}
```

The function `device_code()` may be used to identify the device fitted. The functions `FlashWrite()` and `FlashRead()` write to and read from the flash. Their use is explained in detail later in this application note.

In order to hide the difference between the M29F800 and the Am29F800B from the user's source code the function could be changed to the following:

```
unsigned int device_code( void )
{
    /* Write auto select sequence */
    FlashWrite( 0x5555L, 0x00AA );
    FlashWrite( 0x2AAAL, 0x0055 );
    FlashWrite( 0x5555L, 0x0090 );

    /* Check for ST */
    if( FlashRead(0x0000L) == 0x0020 )
    {
        if( FlashRead(0x0001L) == 0x00EC)
            return 0x22D6;
    }
}
```

```
if( FlashRead(0x0001L) == 0x0058)
    return 0x2258;

if( FlashRead(0x0001L) == 0x00D7)
    return 0x22DA;

if( FlashRead(0x0001L) == 0x0058)
    return 0x2258;
}

/* Read Device Code */
return FlashRead( 0x0001L );
}
```

A similar condition will need to be put in any functions which read the manufacturer code to ensure that the algorithms identify the device as an AMD part.

No other changes to the algorithms will be necessary as long as the compatibility of ST and AMD devices is maintained by avoiding the use of the unlock bypass program command.

Referring back to the modified version of the example function 'device_code' above, it will be clear that higher level functions cannot differentiate between the Am29F800B and the M29F800 from the return value of 'device_code'. For applications, such as flash programmers, which need to distinguish between STMicroelectronics and AMD parts, the original version of the 'device_code' function must be retained. In this case, higher level functions which rely on the return value of 'device_code' must be modified to recognise the STMicroelectronics parts.

USING C LIBRARIES

Low-level functions (drivers) have been provided to simplify the process of developing application code in C for the STMicroelectronics Flash memories (M29F800 and M29W800). This enables users to concentrate on writing the high level functions required for their particular applications. These high level functions can access the Flash memory by calling the low level drivers, hence keeping details of special command sequences away from the users' high level code: this will result in source code both simpler and easier to maintain.

Flash memories are typically used to store source code and data in embedded systems, especially when field updates are likely to be required; a few example applications are personal data organisers, mobile phones or PCMCIA cards. When developing an application, the user is advised to proceed as follows:

- first write a simple program to test the low level drivers provided
- and verify that these operate as expected on the user's target hardware and software environments.
- then the user should write the high level code for his application, which will access the flash memories by calling the low level drivers provided.
- finally test the complete application source code thoroughly.

C LIBRARY FUNCTIONS

The software library provided with this application note provides the user with source code for the following functions:

`FlashReadReset()` is used to reset the device into the Read Array mode. Note that there should be no need to call this function under normal operation as all of the other software library functions leave the device in this mode.

`FlashAutoSelect()` is used to identify the Manufacturer Code, Device Code and the block protection levels of the device.

`FlashBlockErase()` is used to erase one or more blocks in the device. Multiple blocks will be erased simultaneously to reduce the overall erase time. This function checks that none of the blocks specified are protected and does not erase any blocks if some of the specified blocks are protected.

`FlashChipErase()` is used to erase the entire chip. It will not erase any blocks if there is a protected block on the chip.

`FlashProgram()` is used to program data arrays into the flash. Only previously erased bytes or words can be programmed reliably.

The functions rely on the user writing short, simple functions to read and write to the flash in their particular target hardware.

`FlashRead()` must be written to read a value from the flash.

`FlashWrite()` must be written to write a value to the flash.

`FlashPause()` must be written to provide a timer with microsecond resolution. This is used to wait while the flash recovers from some conditions.

An example of these functions is provided in the source code.

In many instances these functions can be written as macros and therefore will not incur the function call time overhead. The two functions which perform the basic I/O to the device have been provided for users who have awkward systems. For example where the addressing system is peculiar or the data bus has D0..D7 of the device on D8..D15 of the microprocessor. They allow any user to quickly adapt the code to virtually any target system.

Throughout the functions, assumptions have been made on the data types. These are:

A `char` is 8 bits (1 byte). This is not the case in all microcontrollers. Where it is not it will be necessary to mask the unused bits of the word in the user's `FlashRead()` function.

An `int` is 16 bits (2 bytes). Again, like the `char`, if this is not the case it will be necessary to use a variable type which is 16 bits or longer and mask bits above 16 bits.

A `long` is 32 bits (4 bytes). It is necessary to have arithmetic greater than 16 bits in order to address the entire device.

Two approaches to the addressing are available: the desired address in the flash can be specified by a 32 bit linear pointer or a 32 bit offset into the device could be provided by the user. The `FlashRead()` functions in each case would be declared as:

```
unsigned int FlashRead( unsigned int *Addr);  
unsigned int FlashRead( unsigned long ulOff);
```

The pointer option has the advantage that it runs faster. The 32 bit offset needs to be changed to an address for each access and this involves 32 bit arithmetic.

Using a 32 bit offset is, however, more portable since the resulting software can easily be changed to run on microprocessors with segmented memory spaces (such as the 8086).

For maximum portability all the functions in this application note use a 32 bit unsigned long offset, rather than a pointer.

ADAPTING THE SOFTWARE FOR THE TARGET SYSTEM

Before using the software in the Target System the user needs to do the following:

1. Define one of the following at the top of the source code:

```
USE_M29F800T
USE_M29F800B
USE_M29W800T
USE_M29W800B
```

The top of the source file defines `USE_M29F800T` as an example.

2. Write `FlashRead()`, `FlashWrite()` and `FlashPause()` functions appropriate to the Target Hardware.
3. Search through the code for the `/* DSI */` and `/* ENI */` comments and disable/enable interrupts at the appropriate points.

The example `FlashRead()` and `FlashWrite()` functions provided in the source code should give the user a good idea of what is required and can be used in many instances without much modification.

To test the source code in the Target System start by simply reading from the M29F800. If it is erased then only FFh data should be read. Next read the Manufacturer and Device codes and check they are correct. If these functions work then it is likely that all of the functions will work but they should all be tested thoroughly.

The programmer needs to take extra care when the device is accessed during an interrupt service routine. Three situations exist which must be considered:

1. When the device is in Read Array mode interrupts can freely read from the device.
2. Interrupts which do not access the device may be used during the Program, Autoselect and Chip Erase functions.
3. During the time critical section of the Block Erase function interrupts are not permitted. An interrupt during this time may cause a time-out and result in some of the blocks not being erased correctly.

The programmer should also take care when a Reset is applied during program or erase operations. The flash will be left in an indeterminate state and data could be lost.

C does not provide a standard library function for disabling interrupts. Furthermore different applications have different tolerances on when interrupts may be disabled. Therefore no protection from the mis-use of interrupts could be incorporated into the library source code. This is left to the user.

It is strongly recommended that the user disables interrupts where the `/* DSI */` comments are placed in the source code. If this is not possible then the user should erase one block at a time.

LIMITATIONS OF THE SOFTWARE

The software provided does not implement a full set of the M29F800's functionality. It is left to the user to implement the Erase Suspend, Block Protect and Chip Unprotect commands of the device. The Standby mode is a hardware feature of the device and cannot be controlled through software.

Care should be taken in some of the `for()` loops. No time-outs have been implemented. Software execution may stop in one of the loops due to a hardware error. A `/* TimeOut! */` comment has been put at these places and the user can add a timer to them to prevent the software failing.

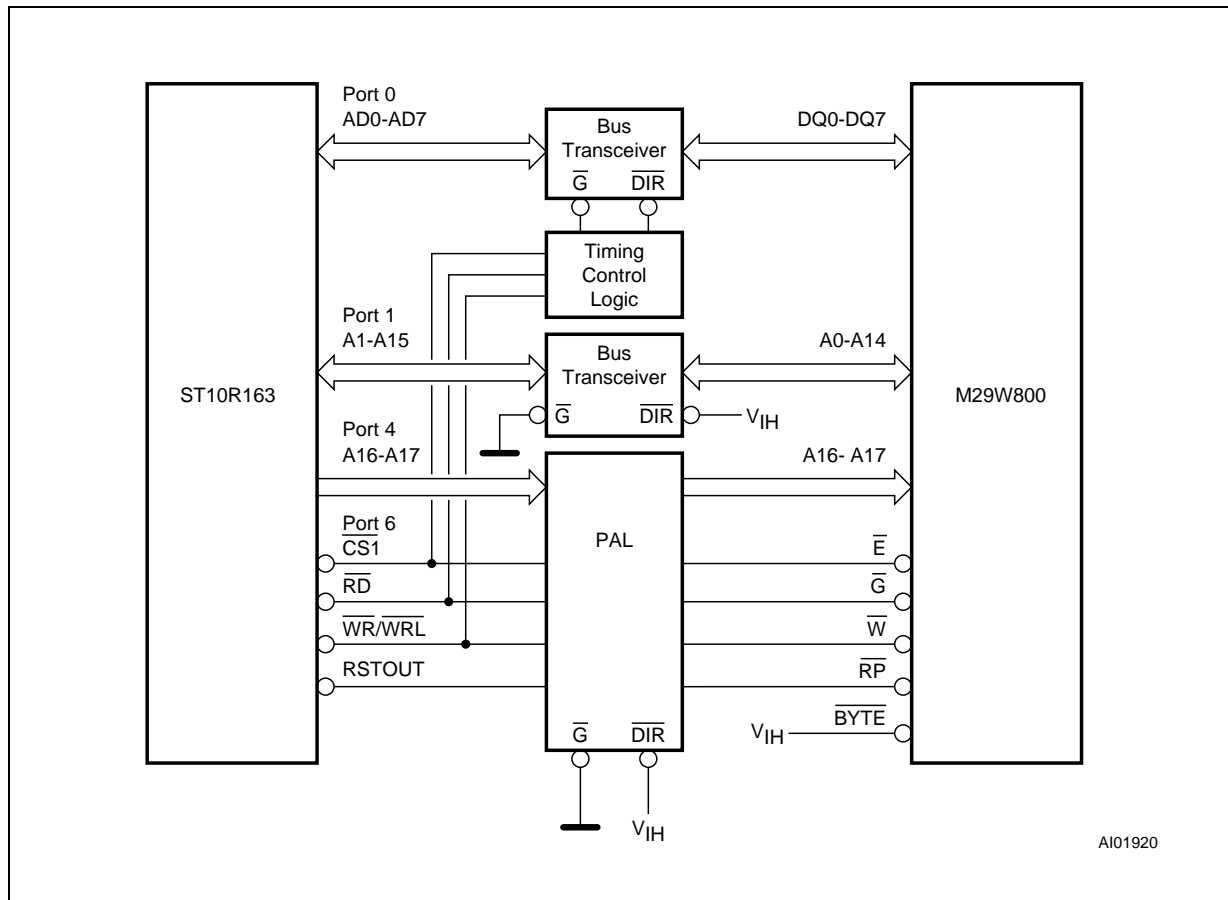
The software only caters for one device in the system. To add software for more devices a mechanism for selecting the devices will be required.

When an error occurs the software simply returns the error message. It is left to the user to decide what to do. Either the command can be tried again or, if necessary the device may need to be replaced.

CONNECTION TO COMMON MICROPROCESSORS

The M29F800 Flash memory can be connected easily to a variety of microprocessors. The examples given here show the M29W800 connected to an ST10R163 microprocessor in word-wide mode and the M29F800 connected to an i80960SA in word-wide mode.

Figure 1. Connection of the M29W800 to the ST10R163



Connection to the ST10R163.

Figure 1 shows an example of how to connect the ST10R163 to the M29W800. In this example the ST10R163 accesses the M29W800 in 16-bit non-multiplexed bus mode and the M29W800 operates in word-wide (x16) mode. The ST10R163 uses a 5V bus and, therefore, a bus-transceiver (i.e. 74LCX16245 from ST) is required to link its bus to the M29W800.

The Port6 $\overline{\text{CS1}}$ output of the ST10R163 is used to enable the M29W800 through the bus transceiver. The address range over which $\overline{\text{CS1}}$ enables the M29W800 is selected by configuring BUSCON1 of the ST10R163.

The data bus is fully connected between the two devices.

In order to ensure that words are accessed correctly, Port1 A1 of the ST10R163 must be connected to A0 of the M29W800. (Note that software must ensure that A0 of the ST10R163 is Low when words are accessed, or an internal error trap will occur.)

Consequently A1-19 of the ST10R163 are connected to A0-18 of the M29W800, giving an address space of 512 Kwords.

Some additional logic is required to control the bus transceiver. The M29W800 takes up to 30ns to release the bus at the end of the cycle. The 74LCX16245 however reacts in 5ns. Contention is possible on the data bus due to this.

Connection to the Intel 80960SA.

Figure 2 shows an example of how to connect an i80960SA to the M29F800. The i80960SA has a full 32-bit address bus. However the address and data buses are multiplexed making it necessary to latch addresses before data access. Furthermore, the i80960SA does not directly provide the control signals required for the M29F800 ($\overline{\text{G}}$, $\overline{\text{E}}$ and $\overline{\text{W}}$); these must be generated by external logic.

The chip enable logic in the example can be made to map the 512 Kword memory space of the M29F800 to any 512 Kword boundary of the 2 Gword address space of the i80960SA.

The M29F800 is configured to operate in word-wide (x16) mode by pulling $\overline{\text{BYTE}}$ to V_{IH} . The i80960SA only operates in 16-bit access mode. The least significant address bit is A1 and therefore, as with the ST10R163, the AD1 signal of the i80960SA connects to A0 of the M29F800. The other address bits are shifted likewise.

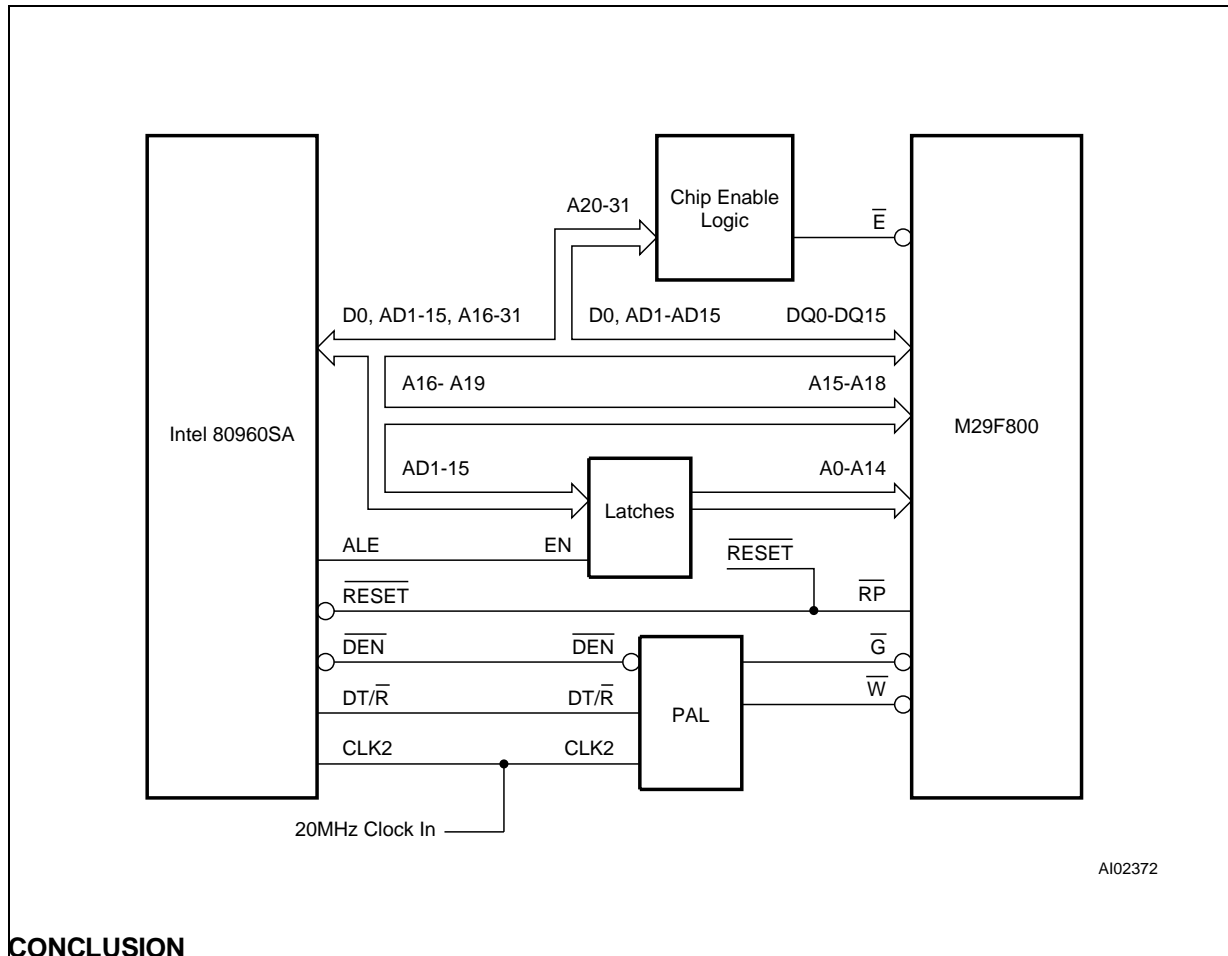
As the i80960SA uses a multiplexed bus, the least significant word of the address bus needs to be latched on the falling edge of ALE. These lines are used for data in the second half of the access cycle during which time the address needs to be held for the M29F800.

The PAL provides the control signals which drive the M29F800. This example provides zero wait state access to an M29F800-70 for an i80960SA at 10MHz.

The i80960SA drives the $\text{DT}/\overline{\text{R}}$ output Low to indicate a read cycle. During the read cycle the $\overline{\text{G}}$ input of the M29F800 should only be asserted when the i80960SA has released the bus. This can be up to 18ns after $\overline{\text{DEN}}$ of the i80960SA goes Low. Therefore the $\overline{\text{G}}$ needs to be asserted on the rising edge of CLK2 following the falling edge of $\overline{\text{DEN}}$. $\overline{\text{G}}$ should be kept asserted for two cycles of CLK2: it is set High at the second rising edge of CLK2.

The i80960SA indicates a write cycle by driving $\text{DT}/\overline{\text{R}}$ High. During the write cycle the rising edge of $\overline{\text{W}}$ on the M29F800 controls latching of the data. The $\overline{\text{DEN}}$ output of the i80960SA cannot be used directly for this purpose as its rising edge occurs when data is removed from the bus. Instead the $\overline{\text{W}}$ input of the M29F800 is asserted on the rising edge of CLK2 following the falling edge of $\overline{\text{DEN}}$. Then, in order to latch the data, $\overline{\text{W}}$ is set High on the following rising edge of CLK2.

Figure 2. Connection of the M29F800 to the 80960SA



CONCLUSION

The M29F800 single voltage Flash memory is an ideal product for embedded and other computer systems, able to be easily interfaced to the microprocessor and driven with simple software drivers written in the C language. The M29W800 is its low voltage equivalents aimed at low power applications.

Full product information can be found at www.st.com, queries may be sent by email to ask.memory@st.com.

```
/*M29F800A.H*Header File for M29F800A.C*****
```

```
Filename:    m29f800a.h
Description: Header file for m29f800a.c. Consult the C file for details
```

```
Copyright (c) 1997 STMicroelectronics.
```

```
This program is provided "AS IS" WITHOUT WARRANTY OF ANY KIND,EITHER
EXPRESSED OR IMPLIED, INCLUDING BUT NOT LIMITED TO, THE IMPLIED WARRANTY
OF MERCHANTABILITY AND FITNESS FOR A PARTICULAR PURPOSE. THE ENTIRE RISK
AS TO THE QUALITY AND PERFORMANCE OF THE PROGRAM IS WITH YOU. SHOULD THE
PROGRAM PROVE DEFECTIVE, YOU ASSUME THE COST OF ALL NECESSARY SERVICING,
REPAIR OR CORRECTION.
```

```
*****
Commands for the various functions
*****/
```

```
#define FLASH_READ_MANUFACTURER    (-2)
#define FLASH_READ_DEVICE_CODE     (-1)
#define FLASH_UNPROTECT             (0)
#define FLASH_PROTECT               (1)
#define FLASH_MAIN_BLOCK            (0)
#define FLASH_BOOT_BLOCK            (1)
```

```
/******
Error Conditions and return values.
See end of C file for explanations and help
*****/
```

```
#define FLASH_BLOCK_PROTECTED      (0x01)
#define FLASH_BLOCK_UNPROTECTED    (0x00)
#define FLASH_BLOCK_NOT_ERASED     (0xFF)
#define FLASH_BLOCK_ERASE_FAILURE  (0xFE)
#define FLASH_BLOCK_ERASED         (0xFD)
#define FLASH_SUCCESS               (-1)
#define FLASH_POLL_FAIL             (-2)
#define FLASH_TOO_MANY_BLOCKS      (-3)
#define FLASH_MPU_TOO_SLOW         (-4)
#define FLASH_BLOCK_INVALID        (-5)
#define FLASH_PROGRAM_FAIL         (-6)
#define FLASH_OFFSET_OUT_OF_RANGE  (-7)
#define FLASH_WRONG_TYPE           (-8)
#define FLASH_BLOCK_FAILED_ERASE   (-9)
#define FLASH_UNPROTECTED          (-10)
#define FLASH_PROTECTED            (-11)
```

(Cont'd in the next page)

AN1053 - APPLICATION NOTE

```
/******  
Function Prototypes  
*****/  
  
extern unsigned int FlashRead( unsigned long ulOff );  
extern void FlashReadReset( void );  
extern int FlashAutoSelect( int iFunc );  
extern int FlashBlockErase( unsigned char ucNumBlocks, unsigned char ucBlock[]);  
extern int FlashChipErase( unsigned char *Results );  
extern int FlashProgram( unsigned long Off, size_t NumWords, void *Array );  
extern int FlashUnprotect( int Unprotect, int BlockType);  
extern char *FlashErrorStr( int ErrNum );
```

/*M29F800, M29W800 *8Mb Flash Memory*16bit mode*****

Filename: m29f800a.c
Description: Library routines for the M29F800 and M29W800 8Mbit
(512kx16) Flash Memories.
16 bit drivers.

Version: 1.00, Tested on M29W800s only!
Date: 23/03/98
Author: Brendan Watts, OTS & Alexandre Nairac
Copyright (c) 1998 STMicroelectronics.

This program is provided "AS IS" WITHOUT WARRANTY OF ANY KIND, EITHER EXPRESSED OR IMPLIED, INCLUDING BUT NOT LIMITED TO, THE IMPLIED WARRANTY OF MERCHANTABILITY AND FITNESS FOR A PARTICULAR PURPOSE. THE ENTIRE RISK AS TO THE QUALITY AND PERFORMANCE OF THE PROGRAM IS WITH YOU. SHOULD THE PROGRAM PROVE DEFECTIVE, YOU ASSUME THE COST OF ALL NECESSARY SERVICING, REPAIR OR CORRECTION.

Version History.

Ver.	Date	Comments
0.00	04/03/98	Initial modifications with no testing
1.00	23/03/98	Tested on M29W800s only

This source file provides library C code for using the M29x800 devices. The following devices are supported in the code:

- M29F800T
- M29F800B
- M29W800T
- M29W800B

This file is used to access the devices in 16-bit mode only. A separate file is available for users who wish to access the device in 8 bit mode (m29f800b.c).

The following functions are available in this library:

- FlashReadReset() to reset the flash for normal memory access
- FlashAutoSelect() to get information about the device
- FlashBlockErase() to erase one or more blocks
- FlashChipErase() to erase the whole chip
- FlashProgram() to program a byte or an array

(Cont'd in the next page)



AN1053 - APPLICATION NOTE

FlashErrorStr() to return the error string of an error

For further information consult the Data Sheet and the Application Note. The Application Note gives information about how to modify this code for a specific application.

The hardware specific functions which need to be modified by the user are:

FlashWrite() for writing a word to the flash
FlashRead() for reading a word from the flash
FlashPause() for timing short pauses (in micro seconds)

A list of the error conditions is at the end of the code.

There are no timeouts implemented in the loops in the code. At each point where an infinite loop is implemented a comment `/* TimeOut! */` has been placed. It is up to the user to implement these to avoid the code hanging instead of timing out.

C does not include a method for disabling interrupts to keep time-critical sections of code from being interrupted. The user may wish to disable interrupts during parts of the code to avoid the `FLASH_MPU_TO_SLOW` error from occurring if an interrupt occurs at the wrong time. Where interrupts should be disabled and re-enabled there is a `/* DSI! */` or `/* ENI! */` comment.

```
*****/  
  
#include <stdlib.h>  
  
#include "m29f800a.h" /* Header file with global prototypes */  
  
#define USE_M29F800T  
  
/*****  
Constants  
*****/  
#define COUNTS_PER_MICROSECOND (200)  
#define MANUFACTURER_ST (0x0020)  
#define BASE_ADDR ((volatile unsigned int*)0x0000)  
/* BASE_ADDR is the base address of the flash, see the functions FlashRead  
and FlashWrite(). Some applications which require a more complicated  
FlashRead() or FlashWrite() may not use BASE_ADDR */
```

(Cont'd in the next page)

```
#if defined(USE_M29F800T) | defined(USE_M29W800T)
static const unsigned long BlockOffset[] =
{
    0x00000L, /* Start offset of block 0 */
    0x08000L, /* Start offset of block 1 */
    0x10000L, /* Start offset of block 2 */
    0x18000L, /* Start offset of block 3 */
    0x20000L, /* Start offset of block 4 */
    0x28000L, /* Start offset of block 5 */
    0x30000L, /* Start offset of block 6 */
    0x38000L, /* Start offset of block 7 */
    0x40000L, /* Start offset of block 8 */
    0x48000L, /* Start offset of block 9 */
    0x50000L, /* Start offset of block 10 */
    0x58000L, /* Start offset of block 11 */
    0x60000L, /* Start offset of block 12 */
    0x68000L, /* Start offset of block 13 */
    0x70000L, /* Start offset of block 14 */
    0x78000L, /* Start offset of block 15 */
    0x7C000L, /* Start offset of block 16 */
    0x7D000L, /* Start offset of block 17 */
    0x7E000L /* Start offset of block 18 */
};

static const unsigned int DeviceBlockType[] =
{
    FLASH_MAIN_BLOCK, /* Block 0 */
    FLASH_MAIN_BLOCK, /* Block 1 */
    FLASH_MAIN_BLOCK, /* Block 2 */
    FLASH_MAIN_BLOCK, /* Block 3 */
    FLASH_MAIN_BLOCK, /* Block 4 */
    FLASH_MAIN_BLOCK, /* Block 5 */
    FLASH_MAIN_BLOCK, /* Block 6 */
    FLASH_MAIN_BLOCK, /* Block 7 */
    FLASH_MAIN_BLOCK, /* Block 8 */
    FLASH_MAIN_BLOCK, /* Block 9 */
    FLASH_MAIN_BLOCK, /* Block 10 */
    FLASH_MAIN_BLOCK, /* Block 11 */
    FLASH_MAIN_BLOCK, /* Block 12 */
    FLASH_MAIN_BLOCK, /* Block 13 */
    FLASH_MAIN_BLOCK, /* Block 14 */
    FLASH_MAIN_BLOCK, /* Block 15 */
    FLASH_MAIN_BLOCK, /* Block 16 */
    FLASH_MAIN_BLOCK, /* Block 17 */
    FLASH_BOOT_BLOCK /* Block 18 */
};

#endif
```

(Cont'd in the next page)

AN1053 - APPLICATION NOTE

```
#ifndef USE_M29F800T
#define EXPECTED_DEVICE (0x00EC) /* M29F800T */
#endif

#ifndef USE_M29W800T
#define EXPECTED_DEVICE (0x00D7) /* M29W800T */
#endif

#if defined(USE_M29F800B) | defined(USE_M29W800B)
static const unsigned long BlockOffset[] =
{
    0x00000L, /* Start offset of block 0 */
    0x02000L, /* Start offset of block 1 */
    0x03000L, /* Start offset of block 2 */
    0x04000L, /* Start offset of block 3 */
    0x08000L, /* Start offset of block 4 */
    0x10000L, /* Start offset of block 5 */
    0x18000L, /* Start offset of block 6 */
    0x20000L, /* Start offset of block 7 */
    0x28000L, /* Start offset of block 8 */
    0x30000L, /* Start offset of block 9 */
    0x38000L, /* Start offset of block 10 */
    0x40000L, /* Start offset of block 11 */
    0x48000L, /* Start offset of block 12 */
    0x50000L, /* Start offset of block 13 */
    0x58000L, /* Start offset of block 14 */
    0x60000L, /* Start offset of block 15 */
    0x68000L, /* Start offset of block 16 */
    0x70000L, /* Start offset of block 17 */
    0x78000L, /* Start offset of block 18 */
};

static const unsigned int DeviceBlockType[] =
{
    FLASH_BOOT_BLOCK, /* Block 0 */
    FLASH_MAIN_BLOCK, /* Block 1 */
    FLASH_MAIN_BLOCK, /* Block 2 */
    FLASH_MAIN_BLOCK, /* Block 3 */
    FLASH_MAIN_BLOCK, /* Block 4 */
    FLASH_MAIN_BLOCK, /* Block 5 */
    FLASH_MAIN_BLOCK, /* Block 6 */
    FLASH_MAIN_BLOCK, /* Block 7 */
    FLASH_MAIN_BLOCK, /* Block 8 */
    FLASH_MAIN_BLOCK, /* Block 9 */
    FLASH_MAIN_BLOCK, /* Block 10 */
    FLASH_MAIN_BLOCK, /* Block 11 */
    FLASH_MAIN_BLOCK, /* Block 12 */
    FLASH_MAIN_BLOCK, /* Block 13 */
    FLASH_MAIN_BLOCK, /* Block 14 */
};
```

(Cont'd in the next page)


```

FLASH_MAIN_BLOCK, /* Block 15 */
FLASH_MAIN_BLOCK, /* Block 16 */
FLASH_MAIN_BLOCK, /* Block 17 */
FLASH_MAIN_BLOCK /* Block 18 */
};

#endif

#ifdef USE_M29F800B
#define EXPECTED_DEVICE (0x0058) /* M29F800B */
#endif

#ifdef USE_M29W800B
#define EXPECTED_DEVICE (0x005B) /* M29W800B */
#endif

#define NUM_BLOCKS (sizeof(BlockOffset)/sizeof(BlockOffset[0]))
#define FLASH_SIZE (0x80000L) /* 512k x16 */

/*****
Static Prototypes

The following functions are only needed in this module.
*****/

static unsigned int FlashWrite( unsigned long ulOff, unsigned int uVal );
static void FlashPause( unsigned int uMicroSeconds );
static int FlashDataPoll( unsigned long ulOff, unsigned int uVal );
static int FlashBlockFailedErase( unsigned char ucBlock );

/*****
Function:    unsigned int FlashWrite( unsigned long ulOff, unsigned int uVal )
Arguments:  ulOff is word offset into the flash to write to.
            uVal is the value to be written
Returns:    uVal
Description: This function is used to write a value to the flash. On many
            microprocessor systems a macro can be used instead, increasing the speed of
            the flash routines. For example:

#define FlashWrite( ulOff, uVal ) ( BASE_ADDR[ulOff] = (unsigned int) uVal )

            A function is used here instead to allow the user to expand it if necessary.
            The function is made to return uVal so that it is compatible with the macro.

Pseudo Code:
    Step 1: Write uVal to the word offset in the flash
    Step 2: return uVal

```

(Cont'd in the next page)

AN1053 - APPLICATION NOTE

```
*****/
static unsigned int FlashWrite( unsigned long ulOff, unsigned int uVal )
{
    /* Step1, 2: Write uVal to the word offset in the flash and return it */
    return BASE_ADDR[ulOff] = uVal;
}

```

```
/******
Function:    unsigned int FlashRead( unsigned long ulOff )
Arguments:   ulOff is word offset into the flash to read from.
Returns:     The unsigned int at the word offset
Description: This function is used to read a word from the flash. On many
             microprocessor systems a macro can be used instead, increasing the speed of
             the flash routines. For example:
```

```
#define FlashRead( ulOff ) ( BASE_ADDR[ulOff] )
```

A function is used here instead to allow the user to expand it if necessary.

Pseudo Code:

Step 1: Return the value at word offset ulOff

```
*****/
unsigned int FlashRead( unsigned long ulOff )
{
    /* Step 1 Return the value at word offset ulOff */
    return BASE_ADDR[ulOff];
}

```

```
/******
Function:    void FlashPause( unsigned int uMicroSeconds )
Arguments:   uMicroSeconds: length of the pause in microseconds
Returns:     none
Description: This routine returns after uMicroSeconds have elapsed. It is used
             in several parts of the code to generate a pause required for correct
             operation of the flash part.
```

The routine here works by counting. The user may already have a more suitable routine for timing which can be used.

Pseudo Code:

Step 1: Compute count size for pause.
Step 2: Count to the required size.

(Cont'd in the next page)

```

*****/
static void FlashPause( unsigned int uMicroSeconds )
{
    volatile unsigned long ulCountSize;

    /* Step 1: Compute the count size */
    ulCountSize = (unsigned long)uMicroSeconds * COUNTS_PER_MICROSECOND;

    /* Step 2: Count to the required size */
    while( ulCountSize > 0 ) /* Test to see if finished */
        ulCountSize--;      /* and count down */
}

```

```

/*****
Function:      void FlashReadReset( void )
Arguments:    none
Return Value: none
Description:  This function places the flash in the Read Array mode described
              in the Data Sheet. In this mode the flash can be read as normal memory.

```

All of the other functions leave the flash in the Read Array mode so this is not strictly necessary. It is provided for completeness.

Note: A wait of 10us is required if the command is called during a program or erase instruction. This is included here to guarantee operation. The functions in the data sheet call this function if they suspect an error during programming or erasing so that the 10us pause is included. Otherwise they use the single instruction technique for increased speed.

Pseudo Code:

Step 1: write command sequence (see Instructions Table of the Data Sheet)
 Step 2: wait 10us or 20us (depending on device)

```

*****/

void FlashReadReset( void )
{
    /* Step 1: write command sequence */
    FlashWrite( 0x5555L, 0x00AA ); /* 1st Cycle */
    FlashWrite( 0x2AAAL, 0x0055 ); /* 2nd Cycle */
    FlashWrite( 0x5555L, 0x00F0 ); /* 3rd Cycle */

    /* Step 2: wait 10us */
    FlashPause( 10 );
#endif
}

```

(Cont'd in the next page)

AN1053 - APPLICATION NOTE

```
/******  
Function:      int FlashAutoSelect( int iFunc )  
Arguments:    iFunc should be set to either the Read Signature values or to the  
              block number. The header file defines the values for reading the Signature.  
Note: the first block is Block 0
```

Return Value: When iFunc is ≥ 0 the function returns FLASH_BLOCK_PROTECTED (01h) if the block is protected and FLASH_BLOCK_UNPROTECTED (00h) if it is unprotected. See the AUTO SELECT INSTRUCTION in the Data Sheet for further instructions.

When iFunc is FLASH_READ_MANUFACTURER (-2) the function returns the manufacturer's code. The Manufacturer code for ST is 0020h.

When iFunc is FLASH_READ_DEVICE_CODE (-1) the function returns the Device Code. The device codes for the parts are:

M29F800T	00ECh
M29F800B	0058h
M29W800T	00D7h
M29W800B	005Bh

When iFunc is invalid the function returns FLASH_BLOCK_INVALID (-5)

Description: This function can be used to read the electronic signature of the device, the manufacturer code or the protection level of a block.

Pseudo Code:

- Step 1: Send the Auto Select Instruction to the device
- Step 2: Read the required function from the device.
- Step 3: Return the device to Read Array mode.

```
*****/  
int FlashAutoSelect( int iFunc )  
{  
    int iRetVal; /* Holds the return value */  
  
    /* Step 1: Send the Read Electronic Signature instruction */  
    FlashWrite( 0x5555L, 0x00AA ); /* 1st Cycle */  
    FlashWrite( 0x2AAAL, 0x0055 ); /* 2nd Cycle */  
    FlashWrite( 0x5555L, 0x0090 ); /* 3rd Cycle */  
  
    /* Step 2: Read the required function */  
    if( iFunc == FLASH_READ_MANUFACTURER )  
        iRetVal = FlashRead( 0x0000L ); /* A0 = A1 = A6 = 0 */  
  
    else if( iFunc == FLASH_READ_DEVICE_CODE )  
        iRetVal = FlashRead( 0x0001L ); /* A0 = 1, A1 = A6 = 0 */  
  
    else if( (iFunc  $\geq 0$ ) && (iFunc < NUM_BLOCKS) )  
        iRetVal = FlashRead( BlockOffset[iFunc] + 0x0002L );
```

(Cont'd in the next page)

```

/* A0 = A6 = 0, A1 = 1 */
else
    iRetVal = FLASH_BLOCK_INVALID;

/* Step 3: Return to Read Array mode */
FlashWrite( 0x0000L, 0x00F0 ); /* Use single instruction cycle method */

return iRetVal;
}

```

```

/*****

```

```

Function:    int FlashBlockErase( unsigned char ucNumBlocks,
    unsigned char ucBlock[] )

```

```

Arguments:   ucNumBlocks holds the number of blocks in the array ucBlock
    ucBlock is an array containing the blocks to be erased.

```

```

Return Value: The function returns the following conditions:

```

```

FLASH_SUCCESS          (-1)
FLASH_POLL_FAIL        (-2)
FLASH_TOO_MANY_BLOCKS (-3)
FLASH_MPU_TOO_SLOW    (-4)
FLASH_WRONG_TYPE       (-8)

```

```

Number of the first protected or invalid block

```

The user's array, ucBlock[] is used to report errors on the specified blocks. If a time-out occurs because the MPU is too slow then the blocks in ucBlocks which are not erased are overwritten with FLASH_BLOCK_NOT_ERASED (FFh) and the function returns FLASH_MPU_TOO_SLOW.

If an error occurs during the erasing of the blocks the blocks in ucBlocks which have failed the erase are set to FLASH_BLOCK_ERASE_FAILURE (FEh) and the function returns FLASH_POLL_FAIL.

If both errors occur then the function will set the ucBlock array for each type of error (i.e. either to FLASH_BLOCK_NOT_ERASED or to FLASH_BLOCK_ERASE_FAILURE). It will return FLASH_POLL_FAIL even though the FLASH_MPU_TOO_SLOW has also occurred.

Description: This function erases up to ucNumBlocks in the flash. The blocks can be listed in any order. The function does not return until the blocks are erased. If any blocks are protected or invalid none of the blocks are erased.

During the Erase Cycle the Data Polling Flowchart of the Data Sheet is followed. The toggle bit, DQ6, is not used. For an erase cycle the data on DQ7 will be '0' during the erase and '1' on completion.

(Cont'd in the next page)

AN1053 - APPLICATION NOTE

Pseudo Code:

- Step 1: Check for correct flash type
- Step 2: Check for protected or invalid blocks
- Step 3: Write Block Erase command
- Step 4: Check for time-out blocks
- Step 5: Wait for the timer bit to be set
- Step 6: Perform Data Polling until P/E.C. has completed
- Step 7: Return to Read Array mode

```
*****/
int FlashBlockErase( unsigned char ucNumBlocks, unsigned char ucBlock[] )
{
    unsigned char ucCurBlock;    /* Range Variable to track current block */
    int iRetVal = FLASH_SUCCESS; /* Holds return value: optimistic initially! */
    unsigned int FirstRead, SecondRead; /* used to check toggle bit DQ2 */

    /* Step 1: Check for correct flash type */
    if( !(FlashAutoSelect( FLASH_READ_MANUFACTURER ) == MANUFACTURER_ST)
    || !(FlashAutoSelect( FLASH_READ_DEVICE_CODE ) == EXPECTED_DEVICE ) )
        return FLASH_WRONG_TYPE;

    /* Step 2: Check for protected or invalid blocks. */
    if( ucNumBlocks > NUM_BLOCKS ) /* Check specified blocks <= NUM_BLOCKS */
        return FLASH_TOO_MANY_BLOCKS;

    for( ucCurBlock = 0; ucCurBlock < ucNumBlocks; ucCurBlock++ )
    {
        /* Use FlashAutoSelect to find protected or invalid blocks */
        if( FlashAutoSelect((int)ucBlock[ucCurBlock]) != FLASH_BLOCK_UNPROTECTED )
            return (int)ucBlock[ucCurBlock]; /* Return protected/invalid blocks */
    }

    /* Step 3: Write Block Erase command */
    FlashWrite( 0x5555L, 0x00AA );
    FlashWrite( 0x2AAAL, 0x0055 );
    FlashWrite( 0x5555L, 0x0080 );
    FlashWrite( 0x5555L, 0x00AA );
    FlashWrite( 0x2AAAL, 0x0055 );
    /* DSI!: Time critical section. Additional blocks must be added every 80us */
    for( ucCurBlock = 0; ucCurBlock < ucNumBlocks; ucCurBlock++ )
    {
        FlashWrite( BlockOffset[ucBlock[ucCurBlock]], 0x0030 );

        /* Check for Erase Timeout Period */
        if( (FlashRead( BlockOffset[ucBlock[0]] ) & 0x0008 ) == 0x0008 )
            break; /* Cannot set any more sectors due to timeout */
    }
    /* ENI! */

    /* Step 4: Check for time-out blocks */
}
```

(Cont'd in the next page)

```
/* if timeout occurred then check if last block is erasing or not */
/* Use DQ2 of status register, toggle implies block is erasing */
if( ucCurBlock < ucNumBlocks )
{
    FirstRead = FlashRead( BlockOffset[ucBlock[ucCurBlock]] ) & 0x0004;
    SecondRead = FlashRead( BlockOffset[ucBlock[ucCurBlock]] ) & 0x0004;
    if( FirstRead != SecondRead )
    {
        ucCurBlock++; /* Point to the next block */
    }

    if( ucCurBlock < ucNumBlocks )
    {
        /* Indicate that some blocks have been timed out of the erase list */
        iRetVal = FLASH_MPU_TOO_SLOW;
    }

    /* Now specify all other blocks as not being erased */
    while( ucCurBlock < ucNumBlocks )
    {
        ucBlock[ucCurBlock++] = FLASH_BLOCK_NOT_ERASED;
    }
}

/* Step 5: Wait for the timer bit to be set */
while( 1 ) /* TimeOut!: If, for some reason, the hardware fails then this
           loop may not exit. Use a timer function to implement a timeout
           from the loop. */
{
    if( ( FlashRead( BlockOffset[ucBlock[0]] ) & 0x0008 ) == 0x0008 )
        break; /* Break when device starts the erase cycle */
}

/* Step 6: Perform data polling until P/E.C. completes, check for errors */
if( FlashDataPoll( BlockOffset[ucBlock[0]], 0xFFFF ) != FLASH_SUCCESS )
{
    for( ucCurBlock = 0; ucCurBlock < ucNumBlocks; ucCurBlock++ )
    {
        if( ucBlock[ucCurBlock] == FLASH_BLOCK_NOT_ERASED )
            break; /* The rest of the blocks have not been erased anyway */

        if( FlashBlockFailedErase( ucBlock[ucCurBlock] )
            == FLASH_BLOCK_FAILED_ERASE )
        {
            ucBlock[ucCurBlock] = FLASH_BLOCK_ERASE_FAILURE;
        }
    }
}

iRetVal = FLASH_POLL_FAIL;
```

(Cont'd in the next page)

AN1053 - APPLICATION NOTE

```
    }

    /* Step 7: Return to Read Array mode */
    FlashWrite( 0x0000L, 0x00F0 ); /* Use single instruction cycle method */

    return iRetVal;
}

/*****
Function:      int FlashChipErase( unsigned char *Results )
Arguments:    Results is a pointer to an array where the results will be stored.
              If Results == NULL then no results are stored.
              Otherwise the results are written to the array if an error occurs. The
              array is left unchanged if the function returns FLASH_SUCCESS.
              The errors written to the array are:
                  FLASH_BLOCK_ERASED (FDh)          if the block erased correctly
                  FLASH_BLOCK_ERASE_FAILURE (FEh)   if the block failed to erased
Return Value: On success the function returns FLASH_SUCCESS (-1)
              If a block is protected then the function returns the number of the block.
              If the erase algorithms fails then the function returns FLASH_POLL_FAIL (-2)
              If the wrong type of flash is accessed then the function returns
              FLASH_WRONG_TYPE (-8)
Description:  The function can be used to erase the whole flash chip so long as
              no sectors are protected. If any sectors are protected then nothing is
              erased.

Pseudo Code:
Step 1: Check for correct flash type
Step 2: Check that all sectors are unprotected
Step 3: Send Chip Erase Command
Step 4: Perform data polling until P/E.C. has completed.
Step 5: Check for blocks erased correctly
Step 6: Return to Read Array mode
*****/
int FlashChipErase( unsigned char *Results )
{
    unsigned char ucCurBlock; /* Used to track the current block in a range */
    int iRetVal;              /* Holds the return value */

    /* Step 1: Check for correct flash type */
    if( !(FlashAutoSelect( FLASH_READ_MANUFACTURER ) == MANUFACTURER_ST)
        || !(FlashAutoSelect( FLASH_READ_DEVICE_CODE ) == EXPECTED_DEVICE ) )
        return FLASH_WRONG_TYPE;

    /* Step 2: Check that all sectors are unprotected */
    for( ucCurBlock = 0; ucCurBlock < NUM_BLOCKS; ucCurBlock++ )
    {
        if( FlashAutoSelect( (int)ucCurBlock ) != FLASH_BLOCK_UNPROTECTED )
            return (int)ucCurBlock; /* Return the first protected block */
    }
}
```

(Cont'd in the next page)


```

}

/* Step 3: Send Chip Erase Command */
FlashWrite( 0x5555, 0x00AA );
FlashWrite( 0x2AAA, 0x0055 );
FlashWrite( 0x5555, 0x0080 );
FlashWrite( 0x5555, 0x00AA );
FlashWrite( 0x2AAA, 0x0055 );
FlashWrite( 0x5555, 0x0010 );

/* Step 4: Perform data polling until P/E.C. completed */
iRetVal = FlashDataPoll( 0x0000, 0xFFFF ); /* Erasing writes 0xFFFF to flash*/

/* Step 5: Check for blocks erased correctly */
if( iRetVal != FLASH_SUCCESS && Results != NULL )
{
    for( ucCurBlock = 0; ucCurBlock < NUM_BLOCKS; ucCurBlock++ )
    {
        if( FlashBlockFailedErase( ucCurBlock )
            == FLASH_BLOCK_FAILED_ERASE )
        {
            Results[ucCurBlock] = FLASH_BLOCK_ERASE_FAILURE;
        }
        else
            Results[ucCurBlock] = FLASH_BLOCK_ERASED;
    }
}

/* Step 6: Return to Read Array mode */
FlashWrite( 0x0000, 0x00F0 ); /* Use single instruction cycle method */

return iRetVal;
}

```

```

/*****

```

Function: int FlashProgram(unsigned long ulOff, size_t NumWords,
 void *Array)

Arguments: ulOff is the word offset into the flash to be programmed

 NumWords holds the number of words in the array.

 Array is a pointer to the array to be programmed.

Return Value: On success the function returns FLASH_SUCCESS (-1).

 On failure the function returns FLASH_PROGRAM_FAIL (-6).

 If the address exceeds the address range of the Flash Device the function
 returns FLASH_ADDRESS_OUT_OF_RANGE (-7) and nothing is programmed.

 If the wrong type of flash is accessed then the function returns

 FLASH_WRONG_TYPE (-8).

Description: This function is used to program an array into the flash. It does
 not erase the flash first and will fail if the block is not erased first.

 This function assumes that none of the flash blocks in the

(Cont'd in the next page)

AN1053 - APPLICATION NOTE

address range to be programmed are protected. The user must ensure that none of these blocks are protected prior to calling this function. If the user attempts to program a protected block, the behaviour of the function is unspecified.

Pseudo Code:

Step 1: Check that the flash is of the correct type
Step 2: Check the offset range is valid.
Step 3: While there is more to be programmed
Step 4: Program the next byte
Step 5: Perform data polling until P/E.C. has completed.
Step 6: Update pointers
Step 7: End of While Loop
Step 8: Return to Read Array mode

```
*****/
int FlashProgram( unsigned long ulOff, size_t NumWords, void *Array )
{
    unsigned int *uArrayPointer; /* Use an unsigned int to access the array */
    unsigned long ulLastOff;      /* Holds the last offset to be programmed */

    /* Step 1: Check for correct flash type */
    if( !(FlashAutoSelect( FLASH_READ_MANUFACTURER ) == MANUFACTURER_ST)
        || !(FlashAutoSelect( FLASH_READ_DEVICE_CODE ) == EXPECTED_DEVICE ) )
        return FLASH_WRONG_TYPE;

    /* Step 2: Check the address range is valid */
    ulLastOff = ulOff + NumWords - 1;
    if( ulLastOff >= FLASH_SIZE )
        return FLASH_OFFSET_OUT_OF_RANGE;

    /* Step 3: While there is more to be programmed */
    uArrayPointer = (unsigned int *)Array;
    while( ulOff <= ulLastOff )
    {
        /* Step 4: Program the next byte */
        FlashWrite( 0x5555L, 0x00AA ); /* 1st cycle */
        FlashWrite( 0x2AAAL, 0x0055 ); /* 2nd cycle */
        FlashWrite( 0x5555L, 0x00A0 ); /* Program command */
        FlashWrite( ulOff, *uArrayPointer ); /* Program value */

        /* Step 5: Perform data polling until P/E.C. has completed. */
        /* See Data Polling Flowchart of the Data Sheet */
        if( FlashDataPoll( ulOff, *uArrayPointer ) == FLASH_POLL_FAIL )
        {
            FlashReadReset();
            return FLASH_PROGRAM_FAIL;
        }
    }
}
```

(Cont'd in the next page)

```

    /* Step 6: Update pointers */
    ulOff++;          /* next word offset */
    uArrayPointer++; /* next word in array */

/* Step 7: End while loop */
}

/* Step 8: Return to Read Array mode */
FlashWrite( 0x0000L, 0x00F0 ); /* Use single instruction cycle method */

return FLASH_SUCCESS;
}

```

```

/*****

```

Function: static int FlashDataPoll(unsigned long ulOff, unsigned int uVal)

Arguments: ulOff should hold a valid offset to be polled. For programming this will be the offset of the word being programmed. For erasing this can be any address in the block(s) being erased.

uVal should hold the value being programmed. A value of FFFFh should be used when erasing.

Return Value: The function returns FLASH_SUCCESS if the P/E.C. is successful or FLASH_POLL_FAIL if there is a problem.

Description: The function is used to monitor the P/E.C. during erase or program operations. It returns when the P/E.C. has completed. The Data Sheet gives a flow chart (Data Polling Flowchart) showing the operation of the function.

Pseudo Code:

Step 1: Read DQ5 and DQ7 (into a byte)

Step 2: If DQ7 is the same as Value(bit 7) then return FLASH_SUCCESS

Step 3: Else if DQ5 is zero then operation is not yet complete, goto 1

Step 4: Else (DQ5 == 1), Read DQ7

Step 5: If DQ7 is now the same as Value(bit 7) then return FLASH_SUCCESS

Step 6: Else return FLASH_POLL_FAIL

```

*****

```

```

static int FlashDataPoll( unsigned long ulOff, unsigned int uVal )

```

```

{

```

```

    unsigned int u;          /* holds value read from valid offset */

```

```

    while( 1 ) /* TimeOut!: If, for some reason, the hardware fails then this
                loop may not exit. Use a timer function to implement a timeout
                from the loop. */

```

```

    {

```

```

        /* Step 1: Read DQ5 and DQ7 (into a byte) */

```

```

        u = FlashRead( ulOff );          /* Read DQ5, DQ7 at valid addr */

```

```

        /* Step 2: If DQ7 is the same as Value(bit 7) then return FLASH_SUCCESS */

```

```

        if( (u&0x0080) == (uVal&0x0080) ) /* DQ7 == DATA */

```

```

            return FLASH_SUCCESS;
    }
}

```

(Cont'd in the next page)

AN1053 - APPLICATION NOTE

```
/* Step 3: Else if DQ5 is zero then operation is not yet complete */
if( (u&0x0020) == 0x0000 )          /* DQ5 == 0 (1 for Erase Error) */
    continue;

/* Step 4: Else (DQ5 == 1) */
u = FlashRead( uloff );             /* Read DQ7 at valid addr */

/* Step 5: If DQ7 is now the same as Value(bit 7) then
return FLASH_SUCCESS */
if( (u&0x0080) == (uVal&0x0080) )   /* DQ7 == DATA */
    return FLASH_SUCCESS;

/* Step 6: Else return FLASH_POLL_FAIL */
else                                 /* DQ7 here means fail */
    return FLASH_POLL_FAIL;
}
}

/*****
Function:      int FlashBlockFailedErase( unsigned char ucBlock )
Arguments:     ucBlock specifies the block to be checked
Return Value:  FLASH_SUCCESS (-1) if the block erased successfully
              FLASH_BLOCK_FAILED_ERASE (-9) if the block failed to erase

Description:   This function can only be called after an erase operation which
              has failed the FlashDataPoll() function. It must be called before the reset
              is made.

              The function reads bit 2 of the Status Register to determine is the block
              has erased successfully or not. Successfully erased blocks should have DQ2
              set to 1 following the erase. Failed blocks will have DQ2 toggle.

Pseudo Code:
Step 1: Read DQ2 in the block twice
Step 2: If they are both the same then return FLASH_SUCCESS
Step 3: Else return FLASH_BLOCK_FAILED_ERASE
*****/
static int FlashBlockFailedErase( unsigned char ucBlock )
{
    int FirstRead, SecondRead; /* Two variables used for clarity, Optimiser will
                                probably not use any */

    /* Step 1: Read block twice */
    FirstRead = FlashRead( BlockOffset[ucBlock] ) & 0x0004;
    SecondRead = FlashRead( BlockOffset[ucBlock] ) & 0x0004;

    /* Step 2: If they are the same return FLASH_SUCCESS */
    if( FirstRead == SecondRead )
        return FLASH_SUCCESS;
}
```

(Cont'd in the next page)

```

/* Step 3: Else return FLASH_BLOCK_FAILED_ERASE */
return FLASH_BLOCK_FAILED_ERASE;
}

/*****
Function:      char *FlashErrorStr( int ErrNum );
Arguments:    ErrNum is the error number returned from another Flash Routine
Return Value: A pointer to a string with the error message
Description:  This function is used to generate a text string describing the
              error from the flash. Call with the return value from another flash routine.

Pseudo Code:
  Step 1: Check the error message range.
  Step 2: Return the correct string.
*****/
char *FlashErrorStr( int ErrNum )
{
  static char *str[] = { "Flash Success",
                        "Flash Poll Failure",
                        "Flash Too Many Blocks",
                        "MPU is too slow to erase all the blocks",
                        "Flash Block selected is invalid",
                        "Flash Program Failure",
                        "Flash Address Out Of Range",
                        "Flash is Wrong Type",
                        "Flash Block Failed Erase",
                        "Flash is Unprotected" };

  /* Step 1: Check the error message range */
  ErrNum = -ErrNum;          /* All errors are negative: make +ve;*/

  /* Step 1,2 Return the correct string */
  if( ErrNum < 1 || ErrNum > 11 ) /* Check the range */
    return "Unknown Error\n";

  else
    return str[ErrNum-1];
}

/*****
List of Errors and Return values, Explanations and Help.
*****/

Return Name:  FLASH_SUCCESS
Return Value: -1
Description:  This value indicates that the flash command has executed
              correctly.

```

(Cont'd in the next page)

AN1053 - APPLICATION NOTE

Error Name: FLASH_POLL_FAIL
Return Value: -2
Description: The P/E.C. algorithm has not managed to complete the command operation successfully. This may be because the device is damaged.
Solution: Try the command again. If it fail a second time then it is likely that the device will need to be replaced.

Error Name: FLASH_TOO_MANY_BLOCKS
Return Value: -3
Description: The user has chosen to erase more blocks than the device has. This may be because the array of blocks to erase contains the same block more than once.
Solutions: Check that the program is trying to erase valid blocks. The device will only have NUM_BLOCKS blocks (defined at the top of the file). Also check that the same block has not been added twice or more to the array.

Error Name: FLASH_MPU_TOO_SLOW
Return Value: -4
Description: The MPU has not managed to write all of the selected blocks to the device before the timeout period expired. See BLOCK ERASE (BE) INSTRUCTION section of the Data Sheet for details.
Solutions: If this occurs occasionally then it may be because an interrupt is occurring during between writing the blocks to be erased. Search for "DSI!" in the code and disable interrupts during the time critical sections.
If this command always occurs then it may be time for a faster microprocessor, a better optimising C compiler or, worse still, learn assembly. The immediate solution is to only erase one block at a time. Disable the test (by #define'ing out the code) and always call the function with one block at a time.

Error Name: FLASH_BLOCK_INVALID
Return Value: -5
Description: A request for an invalid block has been made. Valid blocks number from 0 to NUM_BLOCKS-1.
Solution: Check that the block is in the valid range.

Error Name: FLASH_PROGRAM_FAIL

(Cont'd in the next page)

Return Value: -6
Description: The programmed value has not been programmed correctly.
Solutions: Make sure that the block containing the value was erased before programming. Try erasing the sector and re-programming the value. If it fails again then the device may need to be changed.

Error Name: FLASH_OFFSET_OUT_OF_RANGE
Return Value: -7
Description: The offset given is out of the range of the device.
Solution: Check the offset range is in the valid range.

Error Name: FLASH_WRONG_TYPE
Return Value: -8
Description: The source code has been used to access the wrong type of flash.
Solutions: Use a different flash chip with the target hardware or contact STMicroelectronics for a different source code library.

Error Name: FLASH_BLOCK_FAILED_ERASE
Return Value: -9
Description: The previous erase to this block has not managed to successfully erase the block.
Solution: Sadly the flash needs replacing.

Return Name: FLASH_UNPROTECTED
Return Value: -10
Description: The user has requested to unprotected a flash that is already unprotected or the user has requested to re-protect a flash that has no protected sectors. This is just a warning to the user that their operation did not make any changes and was not necessary.

Return Name: FLASH_PROTECTED
Return Value: -11
Description: The user has requested to protect a flash that is already protected. This is just a warning to the user that their operation did not make any changes and was not necessary.

*****/

AN1053 - APPLICATION NOTE

/*M29F800B.H*Header File for M29F800B.C*****

Filename: m29f800b.h

Description: Header file for m29f800b.c. Consult the C file for details

Copyright (c) 1997 STMicroelectronics.

This program is provided "AS IS" WITHOUT WARRANTY OF ANY KIND, EITHER EXPRESSED OR IMPLIED, INCLUDING BUT NOT LIMITED TO, THE IMPLIED WARRANTY OF MERCHANTABILITY AND FITNESS FOR A PARTICULAR PURPOSE. THE ENTIRE RISK AS TO THE QUALITY AND PERFORMANCE OF THE PROGRAM IS WITH YOU. SHOULD THE PROGRAM PROVE DEFECTIVE, YOU ASSUME THE COST OF ALL NECESSARY SERVICING, REPAIR OR CORRECTION.

Commands for the various functions

*****/

```
#define FLASH_READ_MANUFACTURER    (-2)
#define FLASH_READ_DEVICE_CODE     (-1)
#define FLASH_UNPROTECT             (0)
#define FLASH_PROTECT               (1)
#define FLASH_MAIN_BLOCK            (0)
#define FLASH_BOOT_BLOCK            (1)
```

/*Error Conditions and return values.*/

Error Conditions and return values.

See end of C file for explanations and help

*****/

```
#define FLASH_BLOCK_PROTECTED      (0x01)
#define FLASH_BLOCK_UNPROTECTED    (0x00)
#define FLASH_BLOCK_NOT_ERASED     (0xFF)
#define FLASH_BLOCK_ERASE_FAILURE  (0xFE)
#define FLASH_BLOCK_ERASED         (0xFD)
#define FLASH_SUCCESS               (-1)
#define FLASH_POLL_FAIL             (-2)
#define FLASH_TOO_MANY_BLOCKS      (-3)
#define FLASH_MPU_TOO_SLOW         (-4)
#define FLASH_BLOCK_INVALID        (-5)
#define FLASH_PROGRAM_FAIL         (-6)
#define FLASH_OFFSET_OUT_OF_RANGE  (-7)
#define FLASH_WRONG_TYPE           (-8)
#define FLASH_BLOCK_FAILED_ERASE   (-9)
#define FLASH_UNPROTECTED          (-10)
#define FLASH_PROTECTED            (-11)
```

(Cont'd in the next page)


```
/******  
Function Prototypes  
*****/  
extern unsigned char FlashRead( unsigned long ulOff );  
extern void FlashReadReset( void );  
extern int FlashAutoSelect( int iFunc );  
extern int FlashBlockErase( unsigned char ucNumBlocks, unsigned char ucBlock[]);  
extern int FlashChipErase( unsigned char *Results );  
extern int FlashProgram( unsigned long Off, size_t NumBytes, void *Array );  
extern int FlashUnprotect( int Unprotect, int BlockType);  
extern char *FlashErrorStr( int ErrNum );
```

AN1053 - APPLICATION NOTE

/*M29F800, M29W800 *8Mb Flash Memory*8bit mode*****

Filename: m29f800b.c
Description: Library routines for the M29F800 and M29W800 8Mbit
(1024kx8) Flash Memories.
8 bit drivers.

Version: 1.00, Tested on M29W800s only!
Date: 23/03/98
Author: Brendan Watts, OTS & Alexandre Nairac
Copyright (c) 1998 STMicroelectronics.

This program is provided "AS IS" WITHOUT WARRANTY OF ANY KIND, EITHER EXPRESSED OR IMPLIED, INCLUDING BUT NOT LIMITED TO, THE IMPLIED WARRANTY OF MERCHANTABILITY AND FITNESS FOR A PARTICULAR PURPOSE. THE ENTIRE RISK AS TO THE QUALITY AND PERFORMANCE OF THE PROGRAM IS WITH YOU. SHOULD THE PROGRAM PROVE DEFECTIVE, YOU ASSUME THE COST OF ALL NECESSARY SERVICING, REPAIR OR CORRECTION.

Version History.

Ver.	Date	Comments
0.00	04/03/98	Initial modifications with no testing
1.00	23/03/98	Tested on M29W800s only

This source file provides library C code for using the M29x800 devices. The following devices are supported in the code:

- M29F800T
- M29F800B
- M29W800T
- M29W800B

This file is used to access the devices in 8-bit mode only. A separate file is available for users who wish to access the device in 16 bit mode (m29f800a.c).

The following functions are available in this library:

- FlashReadReset() to reset the flash for normal memory access
- FlashAutoSelect() to get information about the device
- FlashBlockErase() to erase one or more blocks
- FlashChipErase() to erase the whole chip
- FlashProgram() to program a byte or an array
- FlashErrorStr() to return the error string of an error

(Cont'd in the next page)

For further information consult the Data Sheet and the Application Note. The Application Note gives information about how to modify this code for a specific application.

The hardware specific functions which need to be modified by the user are:

```
FlashWrite() for writing a word to the flash
FlashRead()  for reading a word from the flash
FlashPause() for timing short pauses (in micro seconds)
```

A list of the error conditions is at the end of the code.

There are no timeouts implemented in the loops in the code. At each point where an infinite loop is implemented a comment `/# TimeOut! #/` has been placed. It is up to the user to implement these to avoid the code hanging instead of timing out.

C does not include a method for disabling interrupts to keep time-critical sections of code from being interrupted. The user may wish to disable interrupts during parts of the code to avoid the `FLASH_MPU_TO_SLOW` error from occurring if an interrupt occurs at the wrong time. Where interrupts should be disabled and re-enabled there is a `/# DSI! #/` or `/# ENI! #/` comment.

```

*****/
#include <stdlib.h>

#include "m29f800b.h"          /* Header file with global prototypes */

#define USE_M29F800T

/*****
Constants
*****/
#define COUNTS_PER_MICROSECOND (200)
#define MANUFACTURER_ST (0x20)
#define BASE_ADDR ((volatile unsigned char*)0x0000)
    /* BASE_ADDR is the base address of the flash, see the functions FlashRead
       and FlashWrite(). Some applications which require a more complicated
       FlashRead() or FlashWrite() may not use BASE_ADDR */

#if defined(USE_M29F800T) | defined(USE_M29W800T)
static const unsigned long BlockOffset[] =

{
    0x00000L, /* Start offset of block 0 */
    0x10000L, /* Start offset of block 1 */
    0x20000L, /* Start offset of block 2 */

```

(Cont'd in the next page)

AN1053 - APPLICATION NOTE

```
0x30000L, /* Start offset of block 3 */
0x40000L, /* Start offset of block 4 */
0x50000L, /* Start offset of block 5 */
0x60000L, /* Start offset of block 6 */
0x70000L, /* Start offset of block 7 */
0x80000L, /* Start offset of block 8 */
0x90000L, /* Start offset of block 9 */
0xA0000L, /* Start offset of block 10 */
0xB0000L, /* Start offset of block 11 */
0xC0000L, /* Start offset of block 12 */
0xD0000L, /* Start offset of block 13 */
0xE0000L, /* Start offset of block 14 */
0xF0000L, /* Start offset of block 15 */
0xF8000L, /* Start offset of block 16 */
0xFA000L, /* Start offset of block 17 */
0xFC000L /* Start offset of block 18 */
};

static const unsigned int DeviceBlockType[] =
{
    FLASH_MAIN_BLOCK, /* Block 0 */
    FLASH_MAIN_BLOCK, /* Block 1 */
    FLASH_MAIN_BLOCK, /* Block 2 */
    FLASH_MAIN_BLOCK, /* Block 3 */
    FLASH_MAIN_BLOCK, /* Block 4 */
    FLASH_MAIN_BLOCK, /* Block 5 */
    FLASH_MAIN_BLOCK, /* Block 6 */
    FLASH_MAIN_BLOCK, /* Block 7 */
    FLASH_MAIN_BLOCK, /* Block 8 */
    FLASH_MAIN_BLOCK, /* Block 9 */
    FLASH_MAIN_BLOCK, /* Block 10 */
    FLASH_MAIN_BLOCK, /* Block 11 */
    FLASH_MAIN_BLOCK, /* Block 12 */
    FLASH_MAIN_BLOCK, /* Block 13 */
    FLASH_MAIN_BLOCK, /* Block 14 */
    FLASH_MAIN_BLOCK, /* Block 15 */
    FLASH_MAIN_BLOCK, /* Block 16 */
    FLASH_MAIN_BLOCK, /* Block 17 */
    FLASH_BOOT_BLOCK /* Block 18 */
};

#endif

#ifdef USE_M29F800T
#define EXPECTED_DEVICE (0x00EC) /* M29F800T */
#endif
#ifdef USE_M29W800T
#define EXPECTED_DEVICE (0xD7) /* M29W800T */
#endif
```

(Cont'd in the next page)

```
#if defined(USE_M29F800B) | defined(USE_M29W800B)
static const unsigned long BlockOffset[] =
{
    0x00000L, /* Start offset of block 0 */
    0x04000L, /* Start offset of block 1 */
    0x06000L, /* Start offset of block 2 */
    0x08000L, /* Start offset of block 3 */
    0x10000L, /* Start offset of block 4 */
    0x20000L, /* Start offset of block 5 */
    0x30000L, /* Start offset of block 6 */
    0x40000L, /* Start offset of block 7 */
    0x50000L, /* Start offset of block 8 */
    0x60000L, /* Start offset of block 9 */
    0x70000L, /* Start offset of block 10 */
    0x80000L, /* Start offset of block 11 */
    0x90000L, /* Start offset of block 12 */
    0xA0000L, /* Start offset of block 13 */
    0xB0000L, /* Start offset of block 14 */
    0xC0000L, /* Start offset of block 15 */
    0xD0000L, /* Start offset of block 16 */
    0xE0000L, /* Start offset of block 17 */
    0xF0000L /* Start offset of block 18 */
};

static const unsigned int DeviceBlockType[] =
{
    FLASH_BOOT_BLOCK, /* Block 0 */
    FLASH_MAIN_BLOCK, /* Block 1 */
    FLASH_MAIN_BLOCK, /* Block 2 */
    FLASH_MAIN_BLOCK, /* Block 3 */
    FLASH_MAIN_BLOCK, /* Block 4 */
    FLASH_MAIN_BLOCK, /* Block 5 */
    FLASH_MAIN_BLOCK, /* Block 6 */
    FLASH_MAIN_BLOCK, /* Block 7 */
    FLASH_MAIN_BLOCK, /* Block 8 */
    FLASH_MAIN_BLOCK, /* Block 9 */
    FLASH_MAIN_BLOCK, /* Block 10 */
    FLASH_MAIN_BLOCK, /* Block 11 */
    FLASH_MAIN_BLOCK, /* Block 12 */
    FLASH_MAIN_BLOCK, /* Block 13 */
    FLASH_MAIN_BLOCK, /* Block 14 */
    FLASH_MAIN_BLOCK, /* Block 15 */
    FLASH_MAIN_BLOCK, /* Block 16 */
    FLASH_MAIN_BLOCK, /* Block 17 */
    FLASH_MAIN_BLOCK /* Block 18 */
};

#endif
```

(Cont'd in the next page)

AN1053 - APPLICATION NOTE

```
#ifndef USE_M29F800B
#define EXPECTED_DEVICE (0x) /* M29F800B */
#endif

#ifndef USE_M29W800B
#define EXPECTED_DEVICE (0x5B) /* M29W800B */
#endif

#define NUM_BLOCKS (sizeof(BlockOffset)/sizeof(BlockOffset[0]))
#define FLASH_SIZE (0x100000L) /* 1024k x8 */
```

```
/******
Static Prototypes
```

The following functions are only needed in this module.

```
*****/
```

```
static unsigned char FlashWrite( unsigned long ulOff, unsigned char ucVal );
static void FlashPause( unsigned int uMicroSeconds );
static int FlashDataPoll( unsigned long ulOff, unsigned char ucVal );
static int FlashBlockFailedErase( unsigned char ucBlock );
```

```
/******
```

Function: unsigned char FlashWrite(unsigned long ulOff, unsigned char ucVal)

Arguments: ulOff is byte offset into the flash to write to.

ucVal is the value to be written

Returns: ucVal

Description: This function is used to write a value to the flash. On many microprocessor systems a macro can be used instead, increasing the speed of the flash routines. For example:

```
#define FlashWrite( ulOff, ucVal ) ( BASE_ADDR[ulOff] = (unsigned char) ucVal )
```

A function is used here instead to allow the user to expand it if necessary. The function is made to return ucVal so that it is compatible with the macro.

Pseudo Code:

Step 1: Write ucVal to the byte offset in the flash

Step 2: return ucVal

(Cont'd in the next page)

```

*****/
static unsigned char FlashWrite( unsigned long ulOff, unsigned char ucVal )
{
    /* Step1, 2: Write uVal to the word offset in the flash and return it */
    return BASE_ADDR[ulOff] = ucVal;
}

```

```

/*****
Function:    unsigned char FlashRead( unsigned long ulOff )
Arguments:   ulOff is byte offset into the flash to read from.
Returns:     The unsigned char at the byte offset
Description: This function is used to read a byte from the flash. On many
             microprocessor systems a macro can be used instead, increasing the speed of
             the flash routines. For example:

```

```

#define FlashRead( ulOff ) ( BASE_ADDR[ulOff] )

```

A function is used here instead to allow the user to expand it if necessary.

Pseudo Code:

Step 1: Return the value at byte offset ulOff

```

*****/
unsigned char FlashRead( unsigned long ulOff )
{
    /* Step 1 Return the value at word offset ulOff */
    return BASE_ADDR[ulOff];
}

```

```

/*****
Function:    void FlashPause( unsigned int uMicroSeconds )
Arguments:   uMicroSeconds: length of the pause in microseconds
Returns:     none
Description: This routine returns after uMicroSeconds have elapsed. It is used
             in several parts of the code to generate a pause required for correct
             operation of the flash part.

```

The routine here works by counting. The user may already have a more suitable routine for timing which can be used.

Pseudo Code:

Step 1: Compute count size for pause.

Step 2: Count to the required size.

(Cont'd in the next page)

AN1053 - APPLICATION NOTE

```
*****/
```

```
static void FlashPause( unsigned int uMicroSeconds )
{
    volatile unsigned long ulCountSize;

    /* Step 1: Compute the count size */
    ulCountSize = (unsigned long)uMicroSeconds * COUNTS_PER_MICROSECOND;

    /* Step 2: Count to the required size */
    while( ulCountSize > 0 ) /* Test to see if finished */
        ulCountSize--;      /* and count down */
}
```

```
*****
```

Function: void FlashReadReset(void)

Arguments: none

Return Value: none

Description: This function places the flash in the Read Array mode described in the Data Sheet. In this mode the flash can be read as normal memory.

All of the other functions leave the flash in the Read Array mode so this is not strictly necessary. It is provided for completeness.

Note: A wait of 10us is required if the command is called during a program or erase instruction. This is included here to guarantee operation. The functions in the data sheet call this function if they suspect an error during programming or erasing so that the 10us pause is included. Otherwise they use the single instruction technique for increased speed.

Pseudo Code:

Step 1: write command sequence (see Instructions Table of the Data Sheet)

Step 2: wait 10us or 20us (depending on device)

```
*****/
```

```
void FlashReadReset( void )
{
    /* Step 1: write command sequence */
    FlashWrite( 0xAAAAAL, 0xAA ); /* 1st Cycle */
    FlashWrite( 0x5555L, 0x55 ); /* 2nd Cycle */
    FlashWrite( 0xAAAAAL, 0xF0 ); /* 3rd Cycle */

    /* Step 2: wait 10us */
    FlashPause( 10 );
#endif
}
```

(Cont'd in the next page)


```

/*****
Function:      int FlashAutoSelect( int iFunc )
Arguments:    iFunc should be set to either the Read Signature values or to the
              block number. The header file defines the values for reading the Signature.
Note: the first block is Block 0

```

Return Value: When iFunc is >= 0 the function returns FLASH_BLOCK_PROTECTED (01h) if the block is protected and FLASH_BLOCK_UNPROTECTED (00h) if it is unprotected. See the AUTO SELECT INSTRUCTION in the Data Sheet for further instructions.

When iFunc is FLASH_READ_MANUFACTURER (-2) the function returns the manufacturer's code. The Manufacturer code for ST is 20h.

When iFunc is FLASH_READ_DEVICE_CODE (-1) the function returns the Device Code. The device codes for the parts are:

M29F800T	ECh
M29F800B	58h
M29W800T	D7h
M29W800B	5Bh

When iFunc is invalid the function returns FLASH_BLOCK_INVALID (-5)

Description: This function can be used to read the electronic signature of the device, the manufacturer code or the protection level of a block.

Pseudo Code:

```

Step 1: Send the Auto Select Instruction to the device
Step 2: Read the required function from the device.
Step 3: Return the device to Read Array mode.

```

```

*****/
int FlashAutoSelect( int iFunc )
{
    int iRetVal; /* Holds the return value */

    /* Step 1: Send the Read Electronic Signature instruction */
    FlashWrite( 0xAAAAL, 0xAA ); /* 1st Cycle */
    FlashWrite( 0x5555L, 0x55 ); /* 2nd Cycle */
    FlashWrite( 0xAAAAL, 0x90 ); /* 3rd Cycle */

    /* Step 2: Read the required function */
    if( iFunc == FLASH_READ_MANUFACTURER )
        iRetVal = (int) FlashRead( 0x0000L ); /* A0 = A1 = A6 = 0 */

    else if( iFunc == FLASH_READ_DEVICE_CODE )
        iRetVal = (int) FlashRead( 0x0002L );
        /* A0 = 1, A1 = A6 = 0, remember A-1 */

    else if( (iFunc >= 0) && (iFunc < NUM_BLOCKS) )

```

(Cont'd in the next page)

AN1053 - APPLICATION NOTE

```
        iRetVal = (int) FlashRead( BlockOffset[iFunc] + 0x0004L );
                                        /* A0 = A6 = 0, A1 = 1, remember A-1 */
    else
        iRetVal = FLASH_BLOCK_INVALID;

    /* Step 3: Return to Read Array mode */
    FlashWrite( 0x0000L, 0xF0 ); /* Use single instruction cycle method */

    return iRetVal;
}
```

```
/******
```

```
Function:      int FlashBlockErase( unsigned char ucNumBlocks,
    unsigned char ucBlock[] )
```

```
Arguments:     ucNumBlocks holds the number of blocks in the array ucBlock
    ucBlock is an array containing the blocks to be erased.
```

```
Return Value:  The function returns the following conditions:
```

```
FLASH_SUCCESS          (-1)
FLASH_POLL_FAIL        (-2)
FLASH_TOO_MANY_BLOCKS (-3)
FLASH_MPU_TOO_SLOW    (-4)
FLASH_WRONG_TYPE       (-8)
```

```
Number of the first protected or invalid block
```

The user's array, ucBlock[] is used to report errors on the specified blocks. If a time-out occurs because the MPU is too slow then the blocks in ucBlocks which are not erased are overwritten with FLASH_BLOCK_NOT_ERASED (FFh) and the function returns FLASH_MPU_TOO_SLOW.

If an error occurs during the erasing of the blocks the blocks in ucBlocks which have failed the erase are set to FLASH_BLOCK_ERASE_FAILURE (FEh) and the function returns FLASH_POLL_FAIL.

If both errors occur then the function will set the ucBlock array for each type of error (i.e. either to FLASH_BLOCK_NOT_ERASED or to FLASH_BLOCK_ERASE_FAILURE). It will return FLASH_POLL_FAIL even though the FLASH_MPU_TOO_SLOW has also occurred.

Description: This function erases up to ucNumBlocks in the flash. The blocks can be listed in any order. The function does not return until the blocks are erased. If any blocks are protected or invalid none of the blocks are erased.

During the Erase Cycle the Data Polling Flowchart of the Data Sheet is followed. The toggle bit, DQ6, is not used. For an erase cycle the data on DQ7 will be '0' during the erase and '1' on completion.

Pseudo Code:

```
Step 1: Check for correct flash type
Step 2: Check for protected or invalid blocks
Step 3: Write Block Erase command
Step 4: Check for time-out blocks
```

(Cont'd in the next page)

Step 5: Wait for the timer bit to be set
 Step 6: Perform Data Polling until P/E.C. has completed
 Step 7: Return to Read Array mode

```

*****/
int FlashBlockErase( unsigned char ucNumBlocks, unsigned char ucBlock[] )
{
    unsigned char ucCurBlock;    /* Range Variable to track current block */
    int iRetVal = FLASH_SUCCESS; /* Holds return value: optimistic initially! */
    unsigned char FirstRead, SecondRead; /* used to check toggle bit DQ2 */

    /* Step 1: Check for correct flash type */
    if( !(FlashAutoSelect( FLASH_READ_MANUFACTURER ) == MANUFACTURER_ST)
        || !(FlashAutoSelect( FLASH_READ_DEVICE_CODE ) == EXPECTED_DEVICE ) )
        return FLASH_WRONG_TYPE;

    /* Step 2: Check for protected or invalid blocks. */
    if( ucNumBlocks > NUM_BLOCKS ) /* Check specified blocks <= NUM_BLOCKS */
        return FLASH_TOO_MANY_BLOCKS;

    for( ucCurBlock = 0; ucCurBlock < ucNumBlocks; ucCurBlock++ )
    {
        /* Use FlashAutoSelect to find protected or invalid blocks */
        if( FlashAutoSelect((int)ucBlock[ucCurBlock]) != FLASH_BLOCK_UNPROTECTED )
            return (int)ucBlock[ucCurBlock]; /* Return protected/invalid blocks */
    }

    /* Step 3: Write Block Erase command */
    FlashWrite( 0xAAAAAL, 0xAA );
    FlashWrite( 0x5555L, 0x55 );
    FlashWrite( 0xAAAAAL, 0x80 );
    FlashWrite( 0xAAAAAL, 0xAA );
    FlashWrite( 0x5555L, 0x55 );
    /* DSI!: Time critical section. Additional blocks must be added every 80us */
    for( ucCurBlock = 0; ucCurBlock < ucNumBlocks; ucCurBlock++ )
    {
        FlashWrite( BlockOffset[ucBlock[ucCurBlock]], 0x30 );

        /* Check for Erase Timeout Period */
        if( (FlashRead( BlockOffset[ucBlock[0]] ) & 0x08) == 0x08 )
            break; /* Cannot set any more sectors due to timeout */
    }
    /* ENI! */

    /* Step 4: Check for time-out blocks */
    /* if timeout occurred then check if last block is erasing or not */
    /* Use DQ2 of status register, toggle implies block is erasing */
    if( ucCurBlock < ucNumBlocks )
    {
        FirstRead = FlashRead( BlockOffset[ucBlock[ucCurBlock]] ) & 0x04;
    }
}

```

(Cont'd in the next page)

```
SecondRead = FlashRead( BlockOffset[ucBlock[ucCurBlock]] ) & 0x04;
if( FirstRead != SecondRead )
{
    ucCurBlock++; /* Point to the next block */
}

if( ucCurBlock < ucNumBlocks )
{
    /* Indicate that some blocks have been timed out of the erase list */
    iRetVal = FLASH_MPU_TOO_SLOW;
}

/* Now specify all other blocks as not being erased */
while( ucCurBlock < ucNumBlocks )
{
    ucBlock[ucCurBlock++] = FLASH_BLOCK_NOT_ERASED;
}
}

/* Step 5: Wait for the timer bit to be set */
while( 1 ) /* TimeOut!: If, for some reason, the hardware fails then this
            loop may not exit. Use a timer function to implement a timeout
            from the loop. */
{
    if( ( FlashRead( BlockOffset[ucBlock[0]] ) & 0x08 ) == 0x08 )
        break; /* Break when device starts the erase cycle */
}

/* Step 6: Perform data polling until P/E.C. completes, check for errors */
if( FlashDataPoll( BlockOffset[ucBlock[0]], 0xFF ) != FLASH_SUCCESS )
{
    for( ucCurBlock = 0; ucCurBlock < ucNumBlocks; ucCurBlock++ )
    {
        if( ucBlock[ucCurBlock] == FLASH_BLOCK_NOT_ERASED )
            break; /* The rest of the blocks have not been erased anyway */

        if( FlashBlockFailedErase( ucBlock[ucCurBlock] )
            == FLASH_BLOCK_FAILED_ERASE )
        {
            ucBlock[ucCurBlock] = FLASH_BLOCK_ERASE_FAILURE;
        }
    }

    iRetVal = FLASH_POLL_FAIL;
}

/* Step 7: Return to Read Array mode */
FlashWrite( 0x0000L, 0xF0 ); /* Use single instruction cycle method */
```

(Cont'd in the next page)

```

    return iRetVal;
}

/*****
Function:      int FlashChipErase( unsigned char *Results )
Arguments:    Results is a pointer to an array where the results will be stored.
              If Results == NULL then no results are stored.
              Otherwise the results are written to the array if an error occurs. The
              array is left unchanged if the function returns FLASH_SUCCESS.
              The errors written to the array are:
                FLASH_BLOCK_ERASED (FDh)      if the block erased correctly
                FLASH_BLOCK_ERASE_FAILURE (FEh) if the block failed to erased
Return Value: On success the function returns FLASH_SUCCESS (-1)
              If a block is protected then the function returns the number of the block.
              If the erase algorithms fails then the function returns FLASH_POLL_FAIL (-2)
              If the wrong type of flash is accessed then the function returns
              FLASH_WRONG_TYPE (-8)
Description:  The function can be used to erase the whole flash chip so long as
              no sectors are protected. If any sectors are protected then nothing is
              erased.
*****/

```

Pseudo Code:

```

Step 1: Check for correct flash type
Step 2: Check that all sectors are unprotected
Step 3: Send Chip Erase Command
Step 4: Perform data polling until P/E.C. has completed.
Step 5: Check for blocks erased correctly
Step 6: Return to Read Array mode
*****/
int FlashChipErase( unsigned char *Results )
{
    unsigned char ucCurBlock; /* Used to track the current block in a range */
    int iRetVal;              /* Holds the return value */

    /* Step 1: Check for correct flash type */
    if( !(FlashAutoSelect( FLASH_READ_MANUFACTURER ) == MANUFACTURER_ST)
        || !(FlashAutoSelect( FLASH_READ_DEVICE_CODE ) == EXPECTED_DEVICE ) )
        return FLASH_WRONG_TYPE;

    /* Step 2: Check that all sectors are unprotected */
    for( ucCurBlock = 0; ucCurBlock < NUM_BLOCKS; ucCurBlock++ )
    {
        if( FlashAutoSelect( (int)ucCurBlock ) != FLASH_BLOCK_UNPROTECTED )
            return (int)ucCurBlock; /* Return the first protected block */
    }

    /* Step 3: Send Chip Erase Command */
    FlashWrite( 0xAAAA, 0xAA );
    FlashWrite( 0x5555, 0x55 );
}

```

(Cont'd in the next page)

AN1053 - APPLICATION NOTE

```
FlashWrite( 0xAAAA, 0x80 );
FlashWrite( 0xAAAA, 0xAA );
FlashWrite( 0x5555, 0x55 );
FlashWrite( 0xAAAA, 0x10 );

/* Step 4: Perform data polling until P/E.C. completed */
iRetVal = FlashDataPoll( 0x0000, 0xFF );/* Erasing writes 0xFF to flash */

/* Step 5: Check for blocks erased correctly */
if( iRetVal != FLASH_SUCCESS && Results != NULL )
{
    for( ucCurBlock = 0; ucCurBlock < NUM_BLOCKS; ucCurBlock++ )
    {
        if( FlashBlockFailedErase( ucCurBlock )
            == FLASH_BLOCK_FAILED_ERASE )
        {
            Results[ucCurBlock] = FLASH_BLOCK_ERASE_FAILURE;
        }
        else
            Results[ucCurBlock] = FLASH_BLOCK_ERASED;
    }
}

/* Step 6: Return to Read Array mode */
FlashWrite( 0x0000, 0xF0 ); /* Use single instruction cycle method */

return iRetVal;
}

/*****
Function:      int FlashProgram( unsigned long ulOff, size_t NumBytes,
                          void *Array )
Arguments:    ulOff is the byte offset into the flash to be programmed
              NumBytes holds the number of bytes in the array.
              Array is a pointer to the array to be programmed.
Return Value: On success the function returns FLASH_SUCCESS (-1).
              On failure the function returns FLASH_PROGRAM_FAIL (-6).
              If the address exceeds the address range of the Flash Device the function
              returns FLASH_ADDRESS_OUT_OF_RANGE (-7) and nothing is programmed.
              If the wrong type of flash is accessed then the function returns
              FLASH_WRONG_TYPE (-8).
Description:  This function is used to program an array into the flash. It does
              not erase the flash first and will fail if the block is not erased first.
              This function assumes that none of the flash blocks in the
              address range to be programmed are protected. The user must ensure that none
              of these blocks are protected prior to calling this function. If the user
              attempts to program a protected block, the behaviour of the function is
              unspecified.
*****/
```

(Cont'd in the next page)

Pseudo Code:

Step 1: Check that the flash is of the correct type
 Step 2: Check the offset range is valid.
 Step 3: While there is more to be programmed
 Step 4: Program the next byte
 Step 5: Perform data polling until P/E.C. has completed.
 Step 6: Update pointers
 Step 7: End of While Loop
 Step 8: Return to Read Array mode

```

*****/
int FlashProgram( unsigned long ulOff, size_t NumBytes, void *Array )
{
    unsigned char *ucArrayPointer; /* Use an unsigned char to access the array */
    unsigned long ulLastOff;      /* Holds the last offset to be programmed */

    /* Step 1: Check for correct flash type */
    if( !(FlashAutoSelect( FLASH_READ_MANUFACTURER ) == MANUFACTURER_ST)
    || !(FlashAutoSelect( FLASH_READ_DEVICE_CODE ) == EXPECTED_DEVICE ) )
        return FLASH_WRONG_TYPE;

    /* Step 2: Check the address range is valid */
    ulLastOff = ulOff + NumBytes - 1;
    if( ulLastOff >= FLASH_SIZE )
        return FLASH_OFFSET_OUT_OF_RANGE;

    /* Step 3: While there is more to be programmed */
    ucArrayPointer = (unsigned char *)Array;
    while( ulOff <= ulLastOff )
    {
        /* Step 4: Program the next byte */
        FlashWrite( 0xAAAAAL, 0xAA ); /* 1st cycle */
        FlashWrite( 0x5555L, 0x55 ); /* 2nd cycle */
        FlashWrite( 0xAAAAAL, 0xA0 ); /* Program command */
        FlashWrite( ulOff, *ucArrayPointer ); /* Program value */

        /* Step 5: Perform data polling until P/E.C. has completed. */
        /* See Data Polling Flowchart of the Data Sheet */
        if( FlashDataPoll( ulOff, *ucArrayPointer ) == FLASH_POLL_FAIL )
        {
            FlashReadReset();
            return FLASH_PROGRAM_FAIL;
        }

        /* Step 6: Update pointers */
        ulOff++; /* next byte offset */
        ucArrayPointer++; /* next byte in array */

        /* Step 7: End while loop */
    }
}

```

(Cont'd in the next page)

AN1053 - APPLICATION NOTE

```
    }

    /* Step 8: Return to Read Array mode */
    FlashWrite( 0x0000L, 0xF0 ); /* Use single instruction cycle method */

    return FLASH_SUCCESS;
}

/*****
Function:      static int FlashDataPoll( unsigned long ulOff,
                                         unsigned char ucVal )
Arguments:    ulOff should hold a valid offset to be polled. For programming
              this will be the offset of the byte being programmed. For erasing this can
              be any address in the block(s) being erased.
              ucVal should hold the value being programmed. A value of FFh should be used
              when erasing.
Return Value: The function returns FLASH_SUCCESS if the P/E.C. is successful
              or FLASH_POLL_FAIL if there is a problem.
Description:  The function is used to monitor the P/E.C. during erase or
              program operations. It returns when the P/E.C. has completed. The Data Sheet
              gives a flow chart (Data Polling Flowchart) showing the operation of the
              function.

Pseudo Code:
Step 1: Read DQ5 and DQ7 (into a byte)
Step 2: If DQ7 is the same as Value(bit 7) then return FLASH_SUCCESS
Step 3: Else if DQ5 is zero then operation is not yet complete, goto 1
Step 4: Else (DQ5 == 1), Read DQ7
Step 5: If DQ7 is now the same as Value(bit 7) then return FLASH_SUCCESS
Step 6: Else return FLASH_POLL_FAIL
*****/
static int FlashDataPoll( unsigned long ulOff, unsigned char ucVal )
{
    unsigned char uc;          /* holds value read from valid offset */

    while( 1 ) /* TimeOut!: If, for some reason, the hardware fails then this
                loop may not exit. Use a timer function to implement a timeout
                from the loop. */
    {
        /* Step 1: Read DQ5 and DQ7 (into a byte) */
        uc = FlashRead( ulOff );          /* Read DQ5, DQ7 at valid addr */

        /* Step 2: If DQ7 is the same as Value(bit 7) then return FLASH_SUCCESS */
        if( (uc&0x80) == (ucVal&0x80) )    /* DQ7 == DATA */
            return FLASH_SUCCESS;

        /* Step 3: Else if DQ5 is zero then operation is not yet complete */
        if( (uc&0x20) == 0x00 )           /* DQ5 == 0 (1 for Erase Error) */
            continue;
    }
}
```

(Cont'd in the next page)


```

/* Step 4: Else (DQ5 == 1) */
uc = FlashRead( ulOff );          /* Read DQ7 at valid addr */

/* Step 5: If DQ7 is now the same as Value(bit 7) then
return FLASH_SUCCESS */
if( (uc&0x80) == (ucVal&0x80) )    /* DQ7 == DATA */
return FLASH_SUCCESS;

/* Step 6: Else return FLASH_POLL_FAIL */
else                               /* DQ7 here means fail */
return FLASH_POLL_FAIL;
}
}

/*****
Function:      int FlashBlockFailedErase( unsigned char ucBlock )
Arguments:    ucBlock specifies the block to be checked
Return Value: FLASH_SUCCESS (-1) if the block erased successfully
              FLASH_BLOCK_FAILED_ERASE (-9) if the block failed to erase

Description:  This function can only be called after an erase operation which
              has failed the FlashDataPoll() function. It must be called before the reset
              is made.

              The function reads bit 2 of the Status Register to determine is the block
              has erased successfully or not. Successfully erased blocks should have DQ2
              set to 1 following the erase. Failed blocks will have DQ2 toggle.

Pseudo Code:
Step 1: Read DQ2 in the block twice
Step 2: If they are both the same then return FLASH_SUCCESS
Step 3: Else return FLASH_BLOCK_FAILED_ERASE
*****/
static int FlashBlockFailedErase( unsigned char ucBlock )
{
    unsigned char FirstRead, SecondRead; /* Two variables used for clarity,
                                           Optimiser will probably not use any */

    /* Step 1: Read block twice */
    FirstRead = FlashRead( BlockOffset[ucBlock] ) & 0x04;
    SecondRead = FlashRead( BlockOffset[ucBlock] ) & 0x04;

    /* Step 2: If they are the same return FLASH_SUCCESS */
    if( FirstRead == SecondRead )
        return FLASH_SUCCESS;

    /* Step 3: Else return FLASH_BLOCK_FAILED_ERASE */
    return FLASH_BLOCK_FAILED_ERASE;
}

```

(Cont'd in the next page)

AN1053 - APPLICATION NOTE

```
/******  
Function:      char *FlashErrorStr( int ErrNum );  
Arguments:    ErrNum is the error number returned from another Flash Routine  
Return Value: A pointer to a string with the error message  
Description:  This function is used to generate a text string describing the  
              error from the flash. Call with the return value from another flash routine.
```

Pseudo Code:

Step 1: Check the error message range.

Step 2: Return the correct string.

```
/******/  
char *FlashErrorStr( int ErrNum )  
{  
    static char *str[] = { "Flash Success",  
                           "Flash Poll Failure",  
                           "Flash Too Many Blocks",  
                           "MPU is too slow to erase all the blocks",  
                           "Flash Block selected is invalid",  
                           "Flash Program Failure",  
                           "Flash Address Out Of Range",  
                           "Flash is Wrong Type",  
                           "Flash Block Failed Erase",  
                           "Flash is Unprotected",  
                           "Flash is Protected" };  
  
    /* Step 1: Check the error message range */  
    ErrNum = -ErrNum;          /* All errors are negative: make +ve;*/  
  
    /* Step 1,2 Return the correct string */  
    if( ErrNum < 1 || ErrNum > 11 ) /* Check the range */  
        return "Unknown Error\n";  
  
    else  
        return str[ErrNum-1];  
}
```

```
/******
```

List of Errors and Return values, Explanations and Help.

```
*****
```

Return Name: FLASH_SUCCESS

Return Value: -1

Description: This value indicates that the flash command has executed correctly.

(Cont'd in the next page)

Error Name: FLASH_POLL_FAIL
Return Value: -2
Description: The P/E.C. algorithm has not managed to complete the command operation successfully. This may be because the device is damaged.
Solution: Try the command again. If it fail a second time then it is likely that the device will need to be replaced.

Error Name: FLASH_TOO_MANY_BLOCKS
Return Value: -3
Description: The user has chosen to erase more blocks than the device has. This may be because the array of blocks to erase contains the same block more than once.
Solutions: Check that the program is trying to erase valid blocks. The device will only have NUM_BLOCKS blocks (defined at the top of the file). Also check that the same block has not been added twice or more to the array.

Error Name: FLASH_MPU_TOO_SLOW
Return Value: -4
Description: The MPU has not managed to write all of the selected blocks to the device before the timeout period expired. See BLOCK ERASE (BE) INSTRUCTION section of the Data Sheet for details.
Solutions: If this occurs occasionally then it may be because an interrupt is occuring during between writing the blocks to be erased. Search for "DSI!" in the code and disable interrupts during the time critical sections.
If this command always occurs then it may be time for a faster microprocessor, a better optimising C compiler or, worse still, learn assembly. The immediate solution is to only erase one block at a time. Disable the test (by #define'ing out the code) and always call the function with one block at a time.

Error Name: FLASH_BLOCK_INVALID
Return Value: -5
Description: A request for an invalid block has been made. Valid blocks number from 0 to NUM_BLOCKS-1.
Solution: Check that the block is in the valid range.

(Cont'd in the next page)

AN1053 - APPLICATION NOTE

Error Name: FLASH_PROGRAM_FAIL
Return Value: -6
Description: The programmed value has not been programmed correctly.
Solutions: Make sure that the block containing the value was erased before programming. Try erasing the sector and re-programming the value. If it fails again then the device may need to be changed.

Error Name: FLASH_OFFSET_OUT_OF_RANGE
Return Value: -7
Description: The offset given is out of the range of the device.
Solution: Check the offset range is in the valid range.

Error Name: FLASH_WRONG_TYPE
Return Value: -8
Description: The source code has been used to access the wrong type of flash.
Solutions: Use a different flash chip with the target hardware or contact STMicroelectronics for a different source code library.

Error Name: FLASH_BLOCK_FAILED_ERASE
Return Value: -9
Description: The previous erase to this block has not managed to successfully erase the block.
Solution: Sadly the flash needs replacing.

Return Name: FLASH_UNPROTECTED
Return Value: -10
Description: The user has requested to unprotected a flash that is already unprotected or the user has requested to re-protect a flash that has no protected sectors. This is just a warning to the user that their operation did not make any changes and was not necessary.

Return Name: FLASH_PROTECTED
Return Value: -11
Description: The user has requested to protect a flash that is already protected. This is just a warning to the user that their operation did not make any changes and was not necessary.

*****/

Information furnished is believed to be accurate and reliable. However, STMicroelectronics assumes no responsibility for the consequences of use of such information nor for any infringement of patents or other rights of third parties which may result from its use. No license is granted by implication or otherwise under any patent or patent rights of STMicroelectronics. Specifications mentioned in this publication are subject to change without notice. This publication supersedes and replaces all information previously supplied. STMicroelectronics products are not authorized for use as critical components in life support devices or systems without express written approval of STMicroelectronics.

The ST logo is a registered trademark of STMicroelectronics

© 1998 STMicroelectronics - All Rights Reserved

All other names are the property of their respective owners

STMicroelectronics GROUP OF COMPANIES

Australia - Brazil - Canada - China - France - Germany - Italy - Japan - Korea - Malaysia - Malta - Mexico - Morocco - The Netherlands - Singapore - Spain - Sweden - Switzerland - Taiwan - Thailand - United Kingdom - U.S.A.