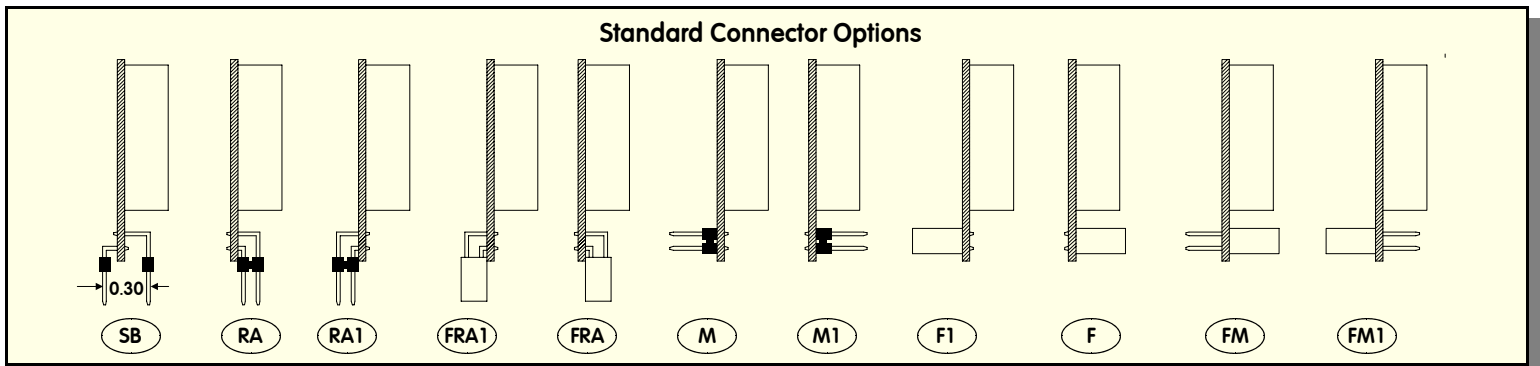


Adapt912DG128™ CONNECTOR PINOUTS (Rev. 2 and higher)

H1				H2			
PIN	SIGNAL NAME	PIN	SIGNAL NAME	PIN	SIGNAL NAME	PIN	SIGNAL NAME
1	PS4/SDI/MISO	50	GROUND	1	PA7/ADDR15/DATA15	50	VCC (+5VDC)
2	PS5/SDO/MOSI	49	GROUND	2	PA6/ADDR14/DATA14	49	GROUND
3	PS6/SCK	48	PS0/RXD0	3	PA5/ADDR13/DATA13	48	PE7/CAL/DBE*
4	PS7/SS*	47	+5VDC	4	PA4/ADDR12/DATA12	47	PK7/ECS*
5	PS1/TXD0	46	PE1/IRQ*	5	PA3/ADDR11/DATA11	46	PK2/PIX2
6	PT7/IOC7	45	PE0/XIRQ*	6	PA2/ADDR10/DATA10	45	PK1/PIX1
7	PT6/IOC6	44	RESET*	7	PA1/ADDR9/DATA9	44	PK0/PIX0
8	PT5/IOC5	43	PE7/CAL/DBE*	8	PA0/ADDR8/DATA8	43	PP3/PW3
9	PT4/IOC4	42	PH0/KWH0	9	PB7/ADDR7/DATA7	42	PP2/PW2
10	PT3/IOC3	41	PH1/KWH1	10	PB6/ADDR6/DATA6	41	PP1/PW1
11	PT2/IOC2	40	PH2/KWH2	11	PB5/ADDR5/DATA5	40	PP0/PW0
12	PT1/IOC1	39	PH3/KWH3	12	PB4/ADDR4/DATA4	39	PIB7/SCL
13	PT0/IOC0	38	PH4/KWH4	13	PB3/ADDR3/DATA3	38	PIB6/SDA
14	PJ7/KWJ7	37	PH5/KWH5	14	PB2/ADDR2/DATA2	37	PIB5
15	PJ6/KWJ6	36	PH6/KWH6	15	PB1/ADDR1/DATA1	36	PIB4
16	PJ5/KWJ5	35	PH7/KWH7	16	PB0/ADDR0/DATA0	35	TxCAN1
17	PJ4/KWJ4	34	PS2/RXD1	17	R/W* PE2	34	RxCAN1
18	PJ3/KWJ3	33	PE4/ECLK	18	ECLK/PE4	33	TxCAN0
19	PJ2/KWJ2	32	PS3/TXD1	19	LSTRB*/TAGLO*/PE3	32	RxCAN0
20	PJ1/KWJ1	31	VRLO	20	IRQ*/PE1	31	VRH1
21	PJ0/KWJ0	30	VRH0	21	PK3	30	VRL1
22	PAD00/AN00	29	PAD04/AN04	22	PAD10/AN10	29	PAD14/AN14
23	PAD01/AN01	28	PAD05/AN05	23	PAD11/AN11	28	PAD15/AN15
24	PAD02/AN02	27	PAD06/AN06	24	PAD12/AN12	27	PAD16/AN16
25	PAD03/AN03	26	PAD07/AN07	25	PAD13/AN13	26	PAD17/AN17

NOTES: * indicates active low signal



Module: #AD912DG128M-□-□
 Starter Package: #AD912DG128SP(-□-□)
 (default RA-M connectors unless otherwise specified)