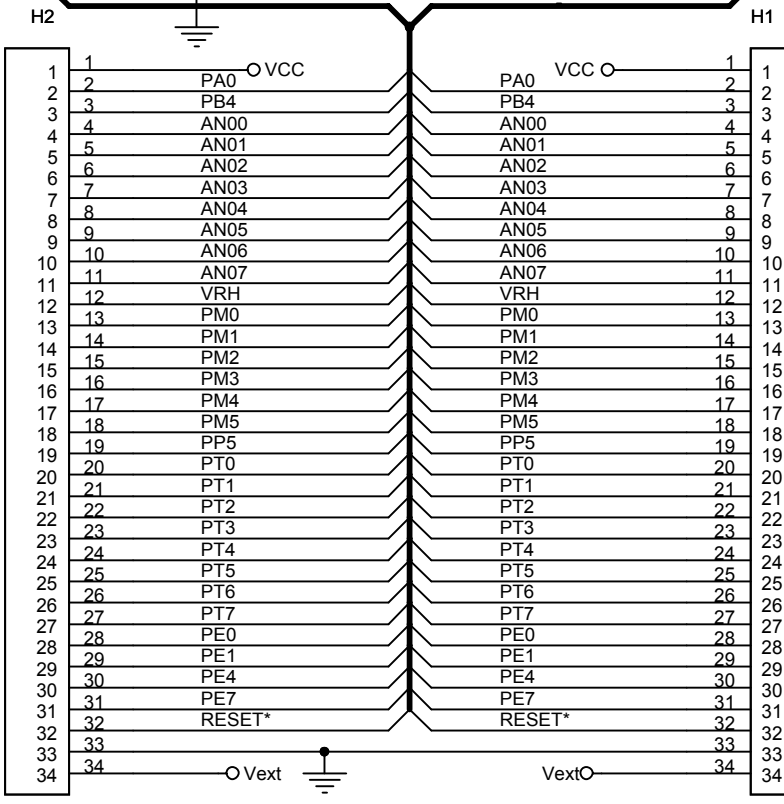
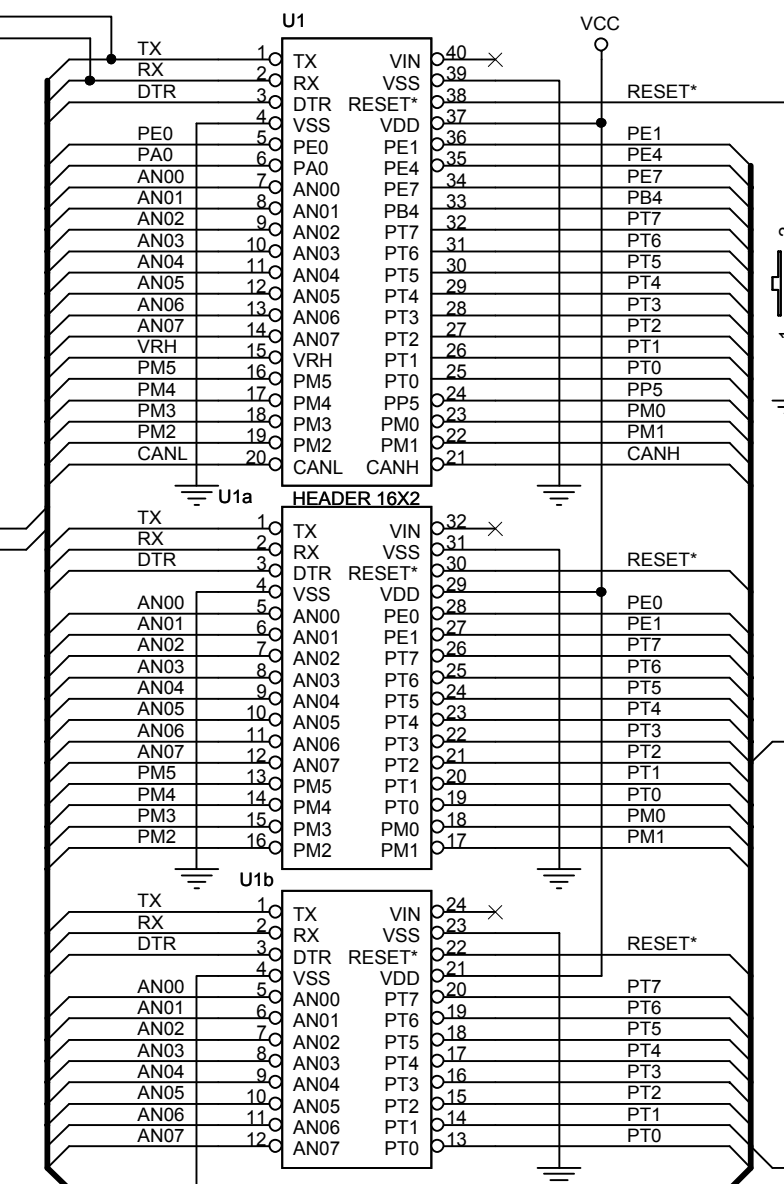
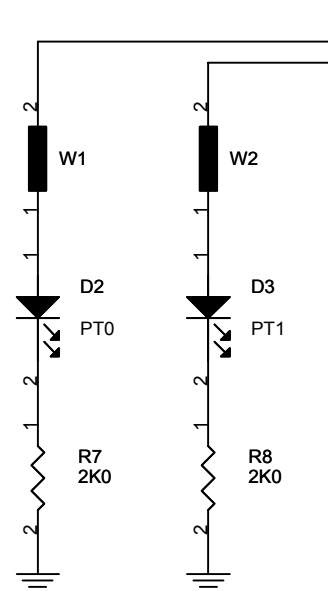
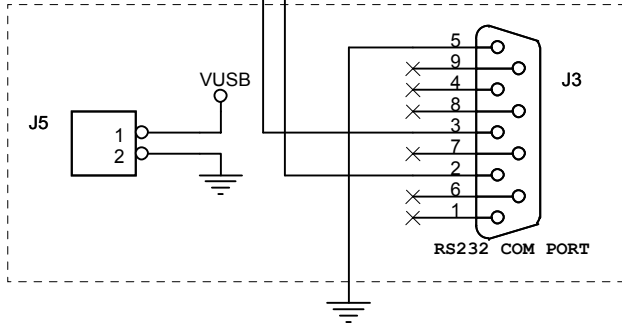
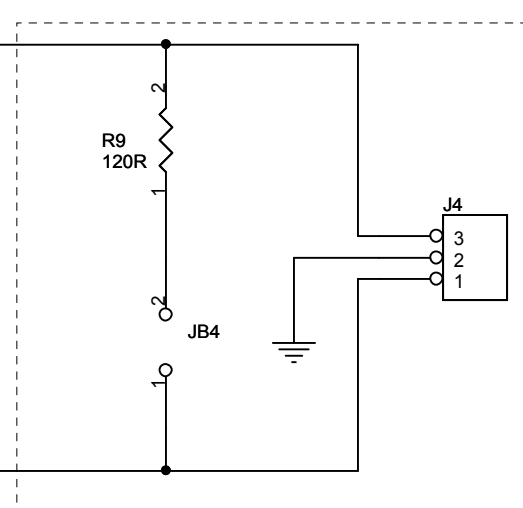
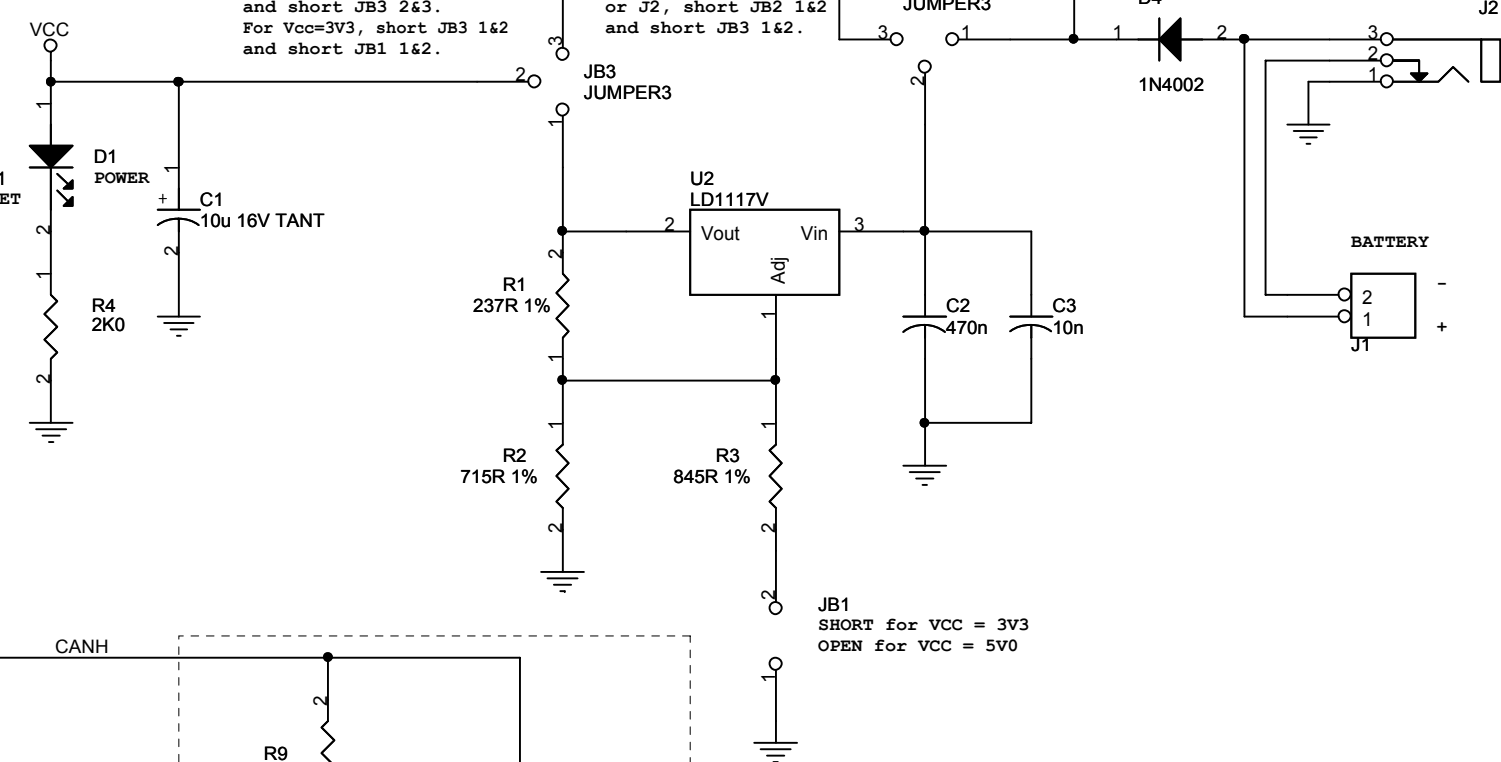


J5 and J3 (pins 2, 3, & 5) are retrofitted with USBMCU module in USB version



When powering via USB for Vcc=5V, short JB2 2&3 and short JB3 2&3. For Vcc=3V3, short JB3 1&2 and short JB1 1&2.



CAN interface connections (used only with NC12MAX)

JB1 SHORT for VCC = 3V3 OPEN for VCC = 5V0

Rev.3:  
 - improved power configuration to support USB  
 - VIN pin of module sockets (U1) no longer used